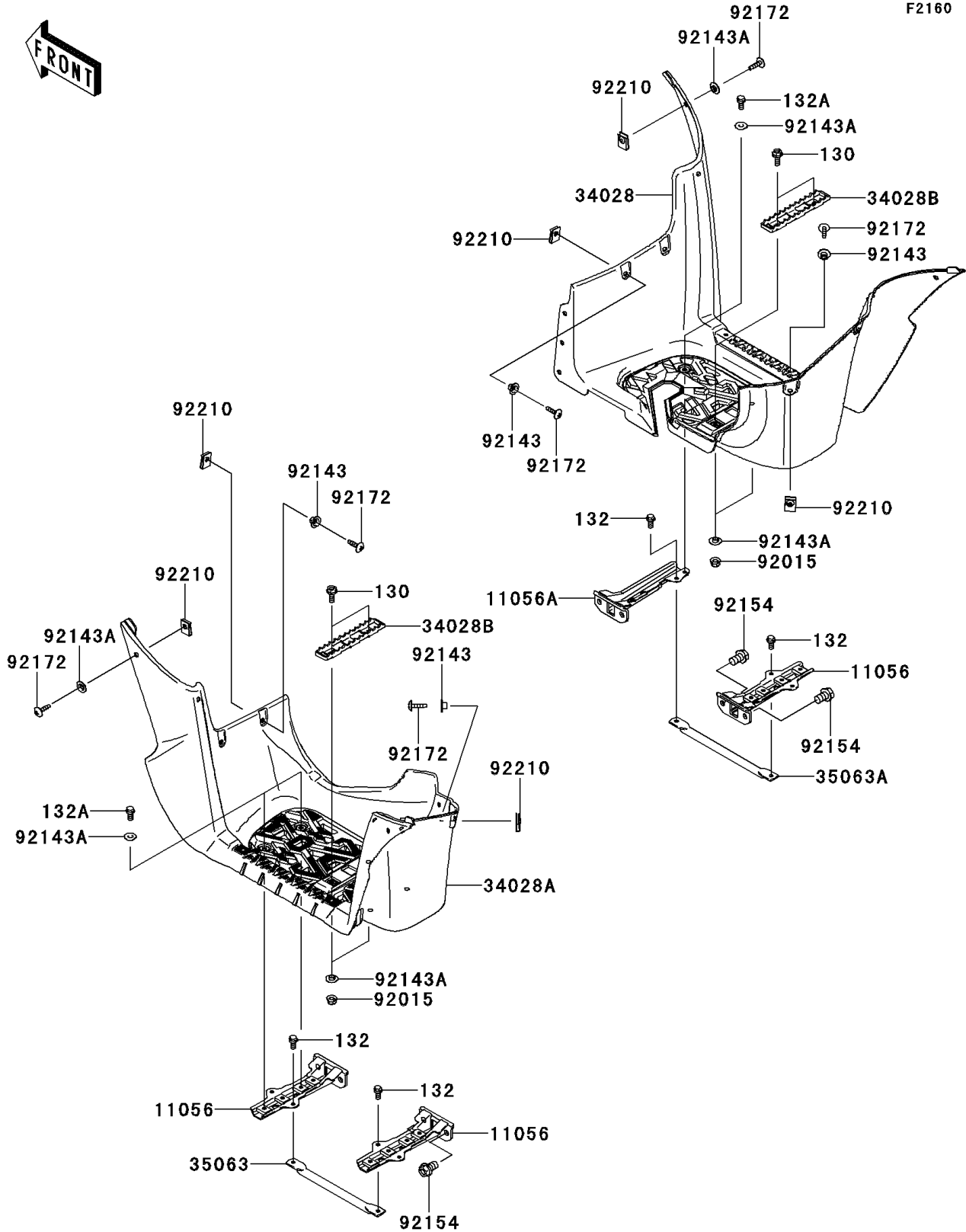


2014 BRUTE FORCE® 750 4x4i EPS PARTS DIAGRAM

Footrests



F2160



2014 BRUTE FORCE® 750 4x4i EPS PARTS LIST

Footrests

ITEM NAME	PART NUMBER	QUANTITY
-----------	-------------	----------