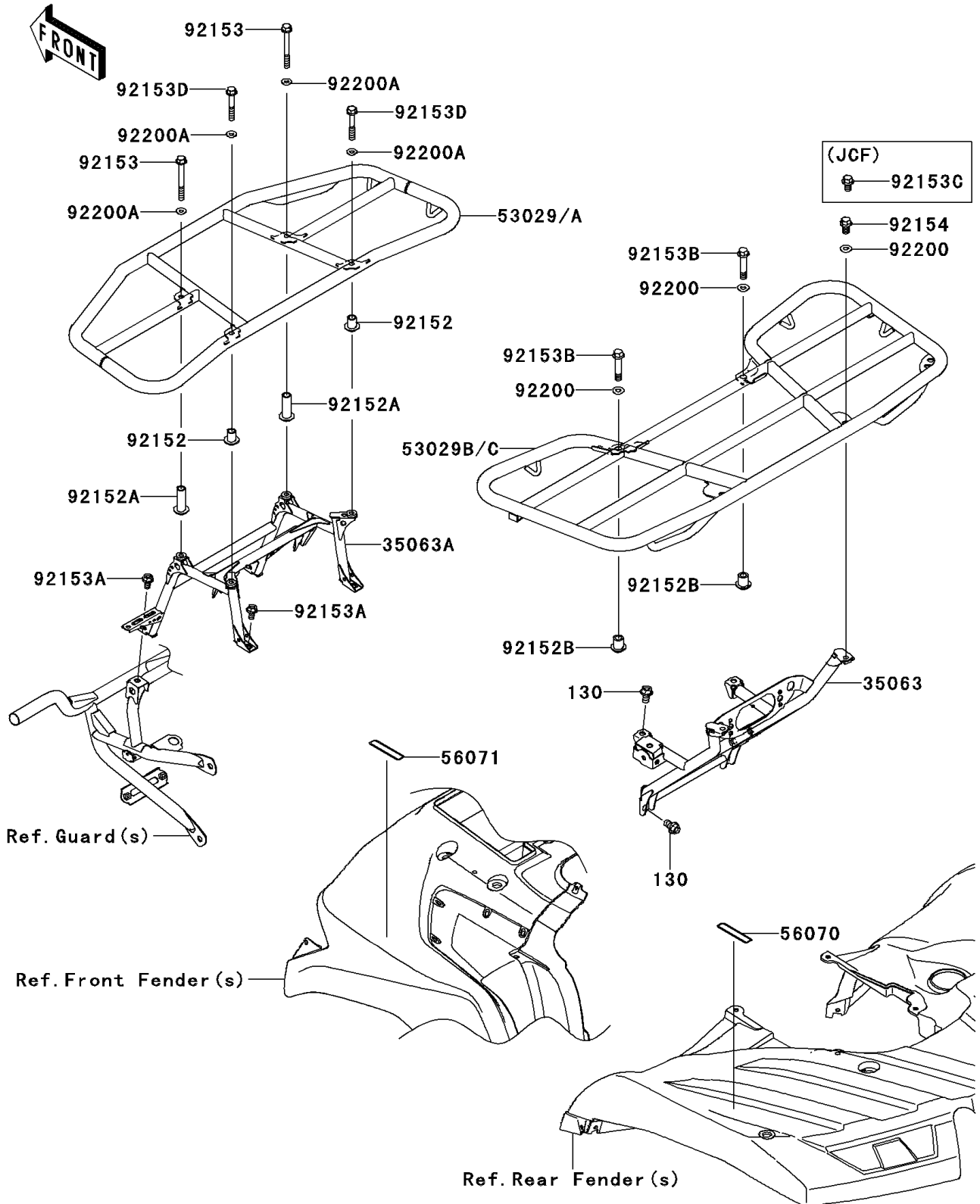


2014 BRUTE FORCE® 750 4x4i EPS PARTS DIAGRAM

Carrier(s)

F2520



2014 BRUTE FORCE® 750 4x4i EPS PARTS LIST

Carrier(s)

ITEM NAME	PART NUMBER	QUANTITY
-----------	-------------	----------