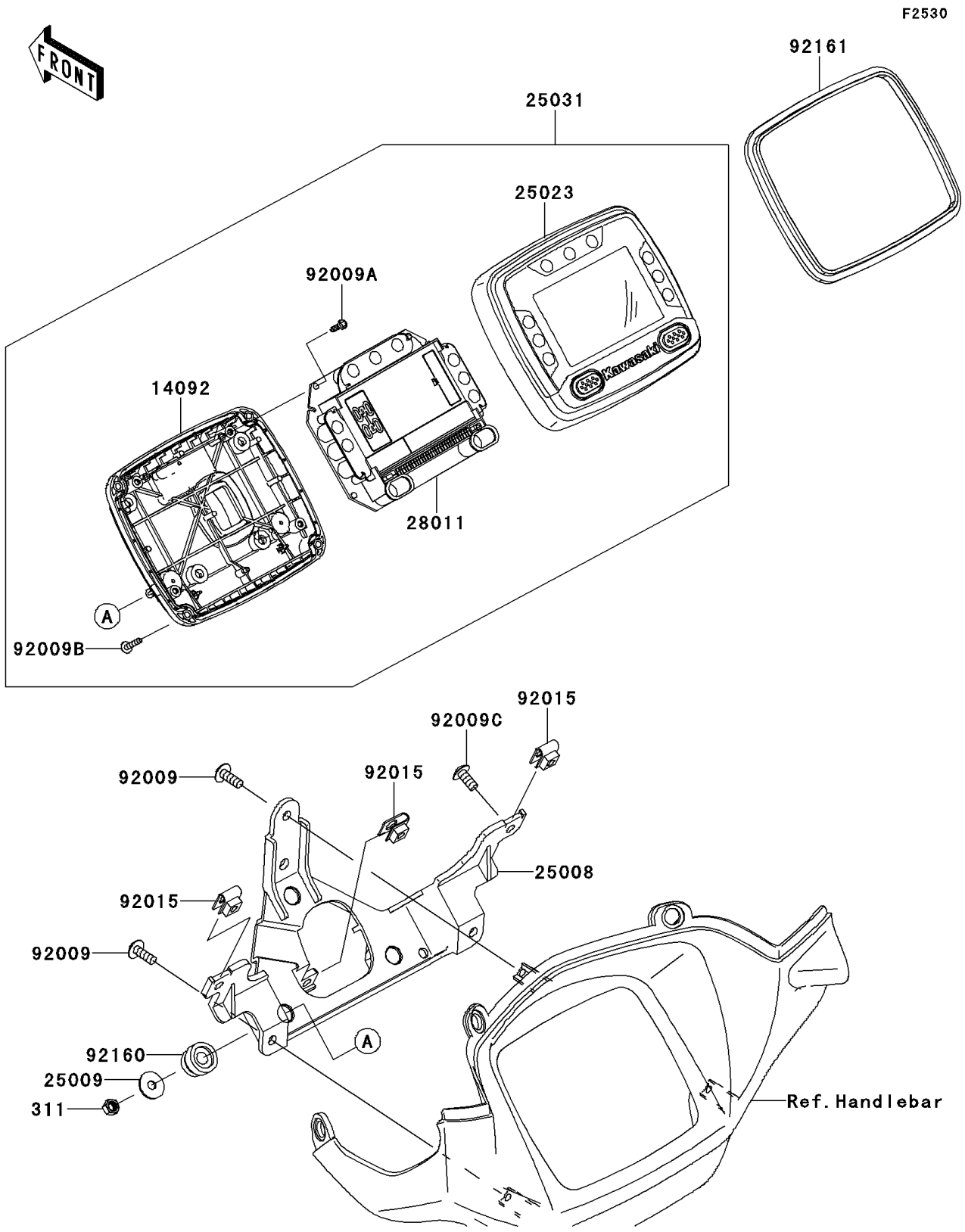


2012 BRUTE FORCE® 750 4x4i EPS PARTS DIAGRAM

Meter(s)



2012 BRUTE FORCE® 750 4x4i EPS PARTS LIST

Meter(s)

ITEM NAME	PART NUMBER	QUANTITY
NUT-HEX (Ref # 311)	311AB0500	3
COVER,LWR CASE (Ref # 14092)	14092-0179	1
BRACKET-METER (Ref # 25008)	25008-0034	1
WASHER,5.2X16X1.2 (Ref # 25009)	25009-004	3
COVER-METER CASE,UPP (Ref # 25023)	25023-0069	1
METER-ASSY (Ref # 25031)	25031-0363	1
METER,LCD (Ref # 28011)	28011-0181	1
SCREW,TAPPING,5X14 (Ref # 92009)	92009-1197	3
SCREW,3X12 (Ref # 92009A)	92009-1326	4
SCREW,TAPPING,3X16 (Ref # 92009B)	92009-1391	4
SCREW,5X12 (Ref # 92009C)	92009-1652	3
NUT,5MM (Ref # 92015)	92015-1573	3
DAMPER (Ref # 92160)	92160-1460	3
DAMPER,METER (Ref # 92161)	92161-0906	1