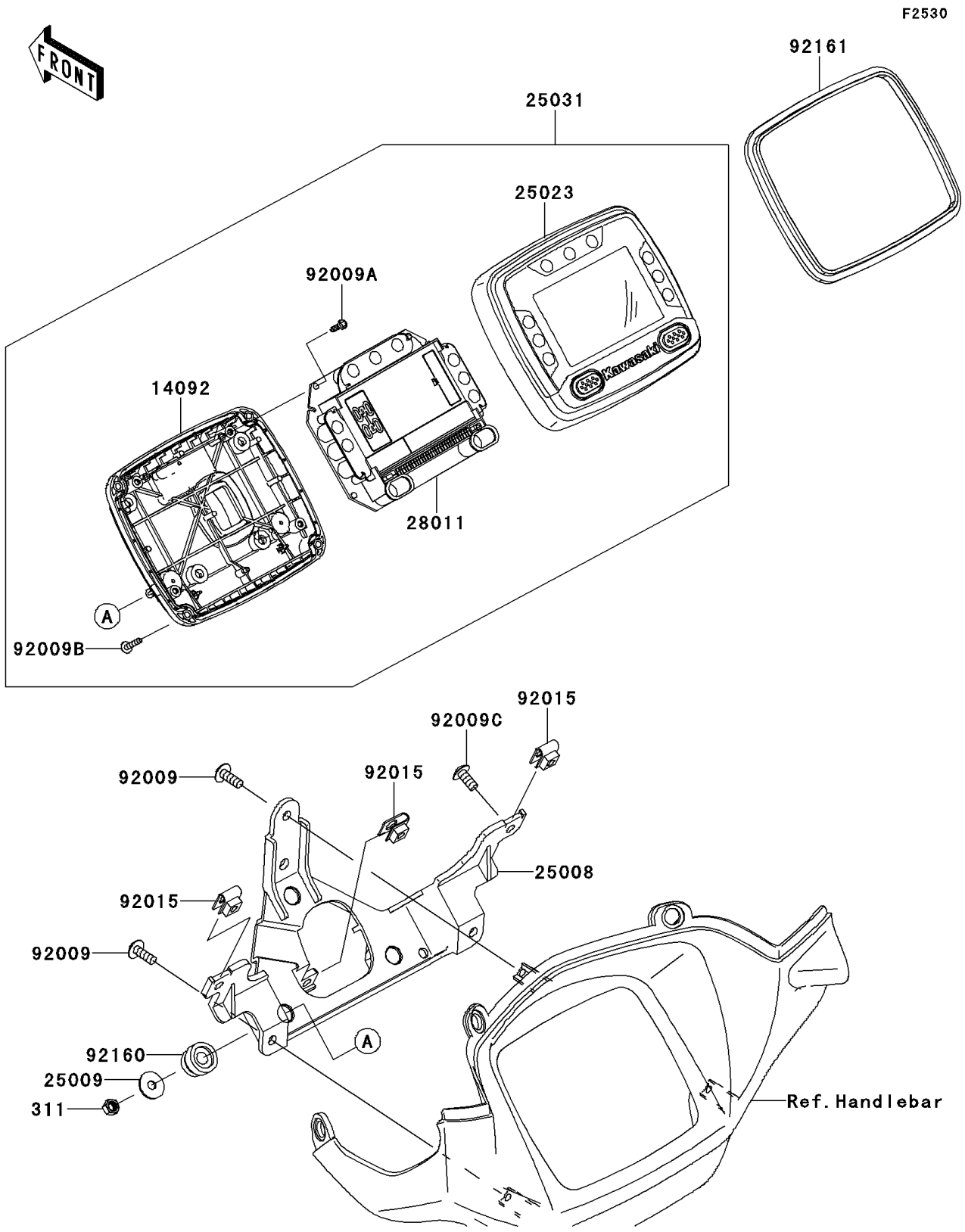


# 2014 BRUTE FORCE® 750 4x4i EPS PARTS DIAGRAM

Meter(s)



# 2014 BRUTE FORCE® 750 4x4i EPS PARTS LIST

Meter(s)

ITEM NAME	PART NUMBER	QUANTITY
-----------	-------------	----------