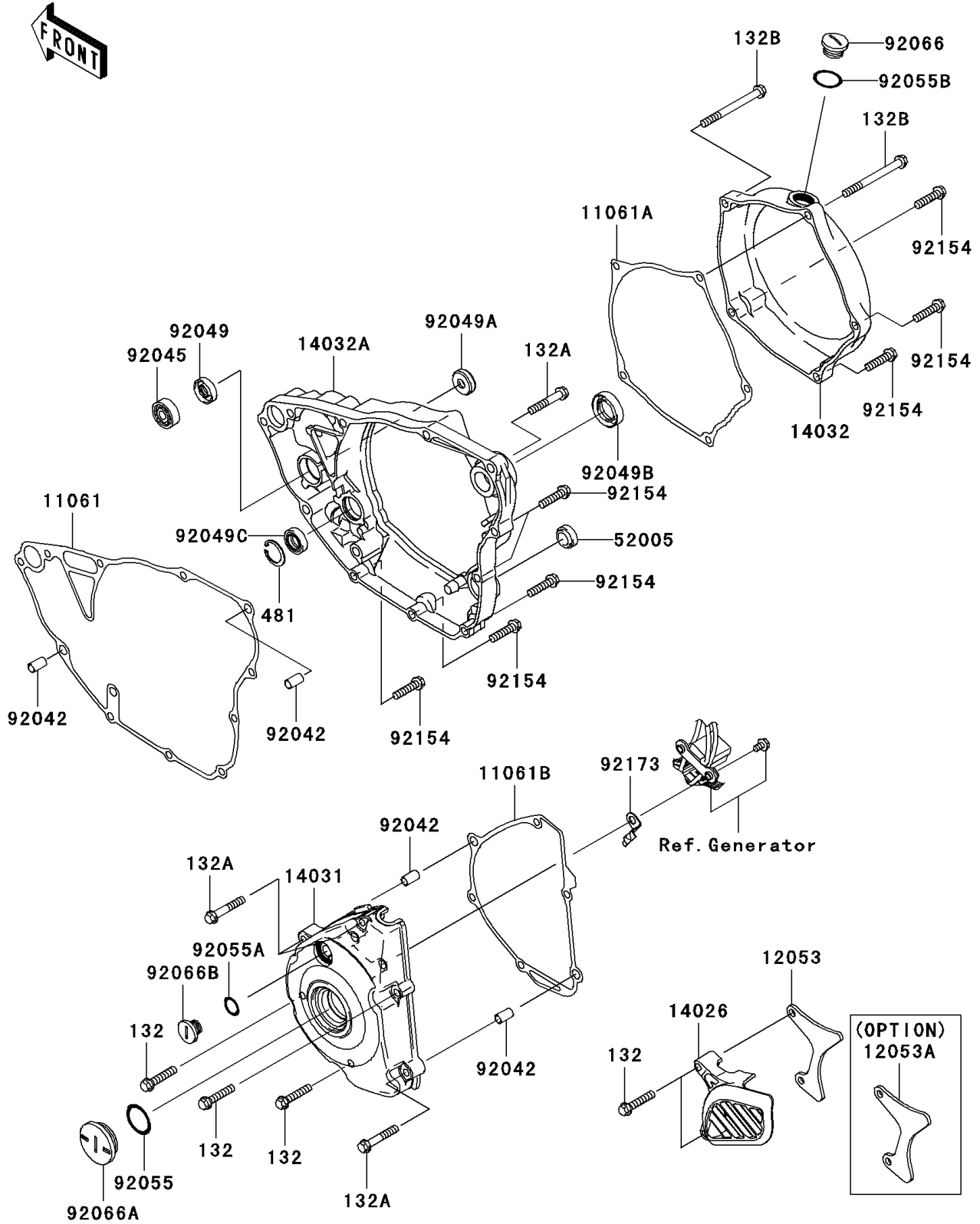


2012 KX™ 250F PARTS DIAGRAM

Engine Cover(s)

E1431



2012 KX™ 250F PARTS LIST

Engine Cover(s)

ITEM NAME	PART NUMBER	QUANTITY
BOLT-FLANGED-SMALL,6X30 (Ref # 132)	132BA0630	5
BOLT-FLANGED-SMALL,6X35 (Ref # 132A)	132BA0635	4
BOLT-FLANGED-SMALL,6X65 (Ref # 132B)	132BA0665	2
CIRCLIP (Ref # 481)	481J2200	1
GASKET,INNER (Ref # 11061)	11061-0361	1
GASKET,OUTER (Ref # 11061A)	11061-0362	1
GASKET,GENERATOR (Ref # 11061B)	11061-0778	1
GUIDE-CHAIN,13T (Ref # 12053)	12053-0129	1
GUIDE-CHAIN,12T (Ref # 12053A)	12053-0130	1
COVER-CHAIN (Ref # 14026)	14026-0090	1
COVER-GENERATOR (Ref # 14031)	14031-0115	1
COVER-CLUTCH,OUTER (Ref # 14032)	14032-0120	1
COVER-CLUTCH,INNER (Ref # 14032A)	14032-0136	1
GAUGE,OIL LEVEL (Ref # 52005)	52005-1009	1
PIN,DOWEL,6.3X8X14 (Ref # 92042)	92042-007	4
BEARING-BALL,#628 (Ref # 92045)	92045-1123	1
SEAL-OIL,SD 8 22 5 ZS (Ref # 92049)	92049-0060	1
SEAL-OIL (Ref # 92049A)	92049-0061	1
SEAL-OIL,SB18307 (Ref # 92049B)	92049-013	1
SEAL-OIL,TC13225.5 (Ref # 92049C)	92049-1519	1
RING-O,27.7X2.4 (Ref # 92055)	92055-091	1
RING-O,13.0X1.9 (Ref # 92055A)	92055-1011	1
RING-O,20X2 (Ref # 92055B)	92055-1146	1
PLUG,18X9 (Ref # 92066)	92066-0731	1
PLUG,30X8 (Ref # 92066A)	92066-0732	1
PLUG,12X9.1 (Ref # 92066B)	92066-0733	1
BOLT,FLANGED,6X25 (Ref # 92154)	92154-0520	8
CLAMP,HARNESS (Ref # 92173)	92173-0058	1