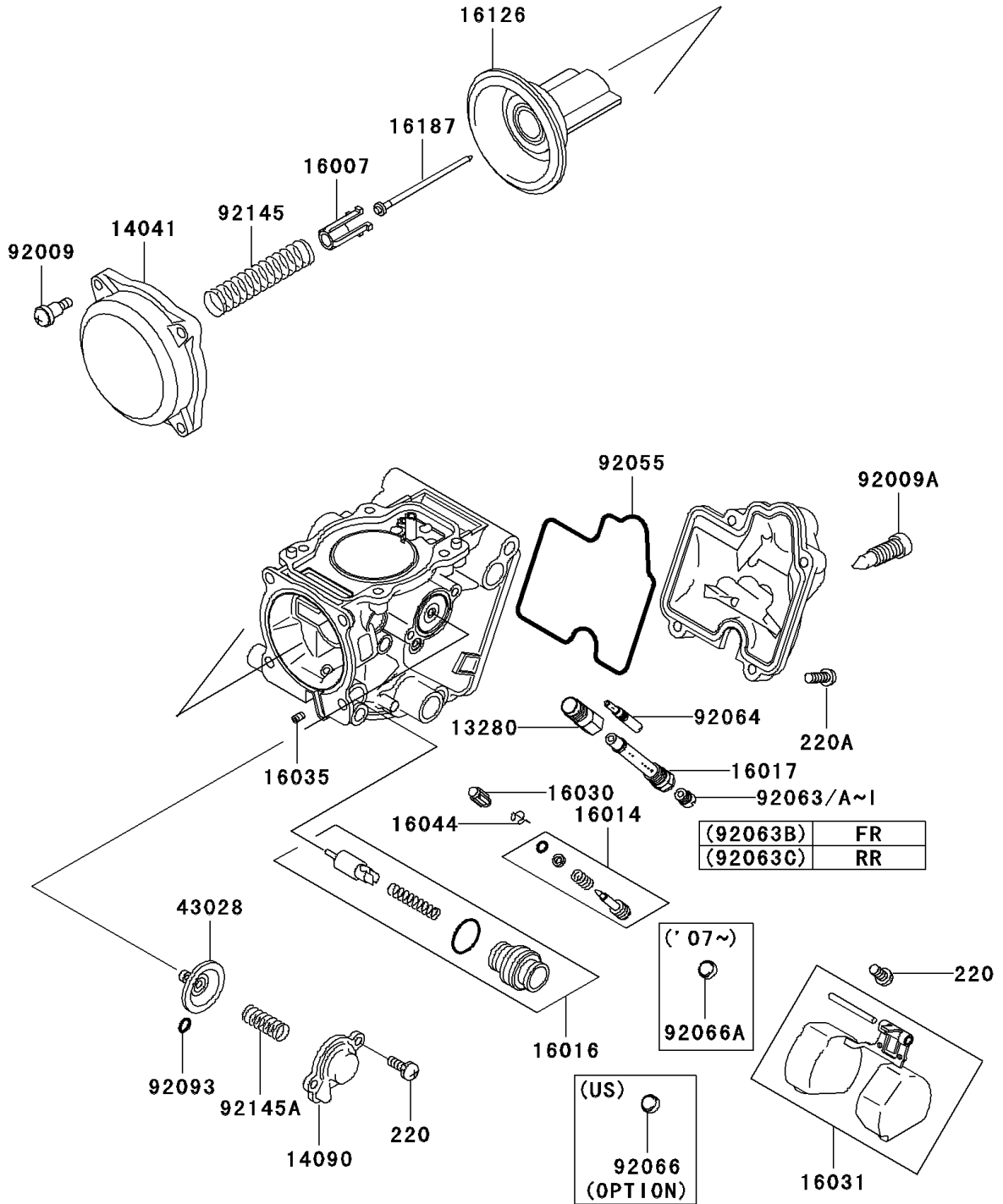


2008 Brute Force® 650 4x4 PARTS DIAGRAM

Carburetor Parts

E1612



2008 Brute Force® 650 4x4 PARTS LIST

Carburetor Parts

ITEM NAME	PART NUMBER	QUANTITY
HOLDER,JET (Ref # 13280)	13280-1096	2
CAP-CHAMBER,MIXING (Ref # 14041)	14041-1090	2
COVER,AIR CUT VALVE (Ref # 14090)	14090-1984	2
SEAT-SPRING,THROTTLE VALVE (Ref # 16007)	16007-1120	2
SCREW-PILOT AIR (Ref # 16014)	16014-1105	2
PLUNGER (Ref # 16016)	16016-1117	2
JET-NEEDLE (Ref # 16017)	16017-1441	2
VALVE-FLOAT (Ref # 16030)	16030-1007	2
FLOAT (Ref # 16031)	16031-1097	2
JET-AIR,LEAK (Ref # 16035)	16035-1055	2
CLAMP,FLOAT VALVE (Ref # 16044)	16044-007	2
VALVE,VACUUM (Ref # 16126)	16126-1226	2
NEEDLE-JET,NAZH (Ref # 16187)	16187-1199	2
DIAPHRAGM,AIR CUT VALVE (Ref # 43028)	43028-1085	2
SCREW,4X4.4 (Ref # 92009)	92009-1549	8
SCREW,DRAIN,6X0.75 (Ref # 92009A)	92009-1551	2
RING-O,FLOAT CHAMBER (Ref # 92055)	92055-1589	2
JET-MAIN,#140 (Ref # 92063)	92063-1013	AR
JET-MAIN,#135 (Ref # 92063A)	92063-1014	AR
JET-MAIN,#138 (Ref # 92063B)	92063-1015	1
JET-MAIN,#142 (Ref # 92063C)	92063-1016	1
JET-MAIN,#145 (Ref # 92063D)	92063-1017	AR
JET-MAIN,#125 (Ref # 92063E)	92063-1069	AR
JET-MAIN,#128 (Ref # 92063F)	92063-1074	AR
JET-MAIN,#130 (Ref # 92063G)	92063-1075	AR
JET-MAIN,#132 (Ref # 92063H)	92063-1076	AR
JET-MAIN,#148 (Ref # 92063I)	92063-1324	AR
JET-PILOT,#40 (Ref # 92064)	92064-1232	2
PLUG,PILOT AIR SCREW (Ref # 92066A)	92066-3769	2

2008 Brute Force® 650 4x4 PARTS LIST

Carburetor Parts

ITEM NAME	PART NUMBER	QUANTITY
SEAL,"U"RING (Ref # 92093)	92093-1046	2
SPRING,VACUUM VALVE (Ref # 92145)	92145-1227	2
SPRING,AIR CUT VALVE (Ref # 92145A)	92145-1450	2
SCREW-PAN-CROS,4X8 (Ref # 220)	220AA0408	6
SCREW-PAN-CROS,4X14 (Ref # 220A)	220AA0414	8
PLUG,PILOT AIR SCREW (Ref # 92066)	92066-3769	2