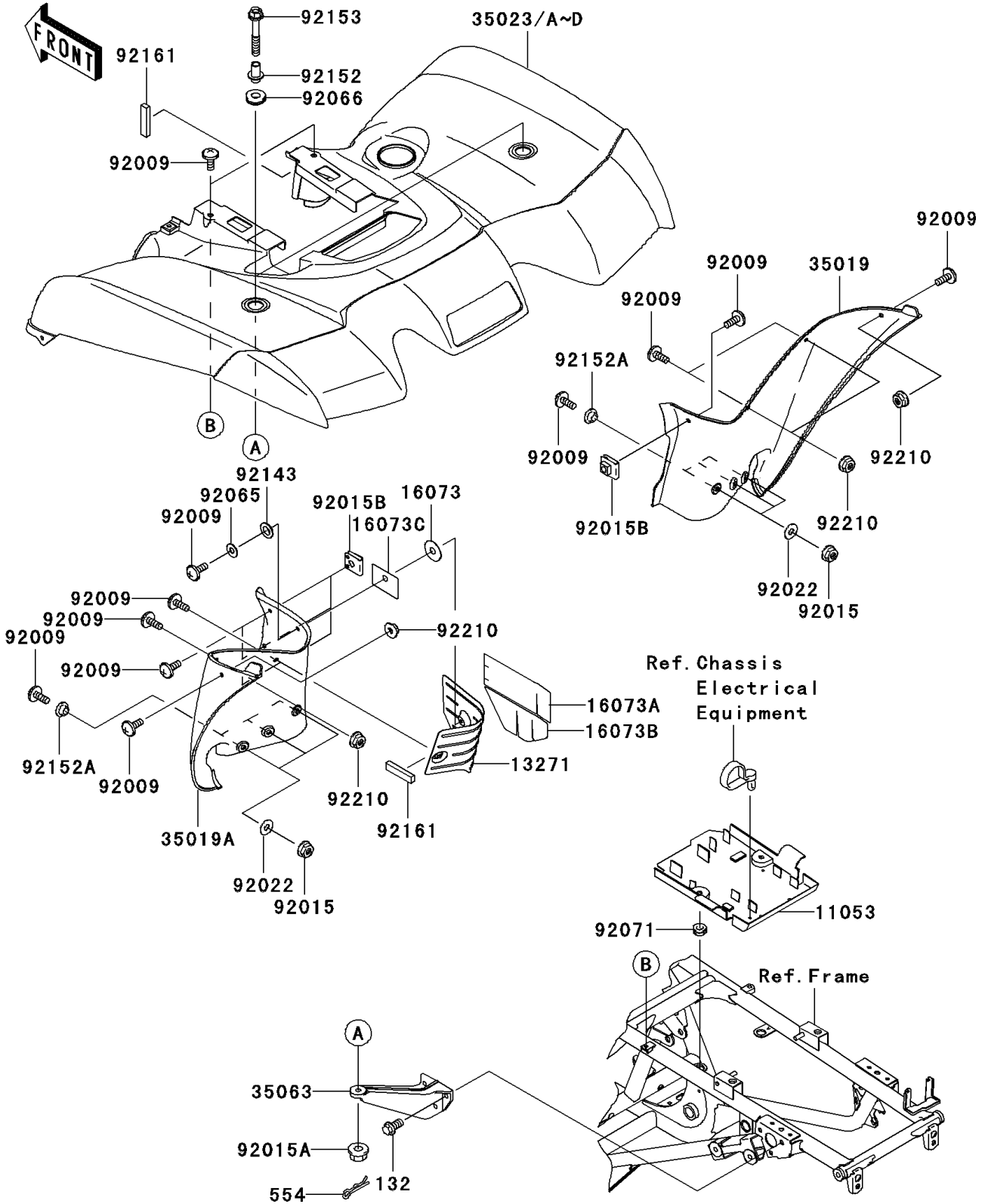


2008 Brute Force® 650 4x4 PARTS DIAGRAM

Rear Fender(s)

F2172



2008 Brute Force® 650 4x4 PARTS LIST

Rear Fender(s)

ITEM NAME	PART NUMBER	QUANTITY
BOLT-FLANGED-SMALL,8X18 (Ref # 132)	132BB0818	6
PIN-SNAP (Ref # 554)	554DA0800	2
BRACKET,ELECTRIC (Ref # 11053)	11053-1308	1
PLATE,HEAT GUARD (Ref # 13271)	13271-0411	1
INSULATOR (Ref # 16073)	16073-0023	1
INSULATOR (Ref # 16073A)	16073-0024	1
INSULATOR (Ref # 16073B)	16073-0025	1
INSULATOR (Ref # 16073C)	16073-0026	1
FLAP,RR,RH,F.BLACK (Ref # 35019)	35019-0033-6Z	1
FLAP,RR,LH,F.BLACK (Ref # 35019A)	35019-0041-6Z	1
FENDER-REAR,W.GREEN (Ref # 35023A)	35023-0056-286	1
FENDER-REAR,L.GREEN (Ref # 35023B)	35023-0056-290	1
FENDER-REAR,S.RED (Ref # 35023C)	35023-0056-6B	1
FENDER-REAR,BLACK (Ref # 35023D)	35023-0056-839	1
STAY,RR FENDER (Ref # 35063)	35063-1100	2
SCREW,6X16 (Ref # 92009)	92009-1621	19
NUT,FLANGED,6MM (Ref # 92015)	92015-1367	6
NUT,LOCK,FLANGED,8MM (Ref # 92015A)	92015-1397	2
NUT,CLAMP,6MM (Ref # 92015B)	92015-1678	4
WASHER,6.5X16X1.0 (Ref # 92022)	92022-1093	6
GASKET,6X14X0.8 (Ref # 92065)	92065-092	1
PLUG (Ref # 92066)	92066-1438	2
GROMMET (Ref # 92071)	92071-1131	2
COLLAR (Ref # 92143)	92143-1087	1
COLLAR,L=38.5 (Ref # 92152)	92152-0098	2
COLLAR (Ref # 92152A)	92152-0224	6
BOLT,FLANGED,8X70 (Ref # 92153)	92153-0984	2
DAMPER (Ref # 92161)	92161-0272	2
NUT,6MM (Ref # 92210)	92210-1368	5