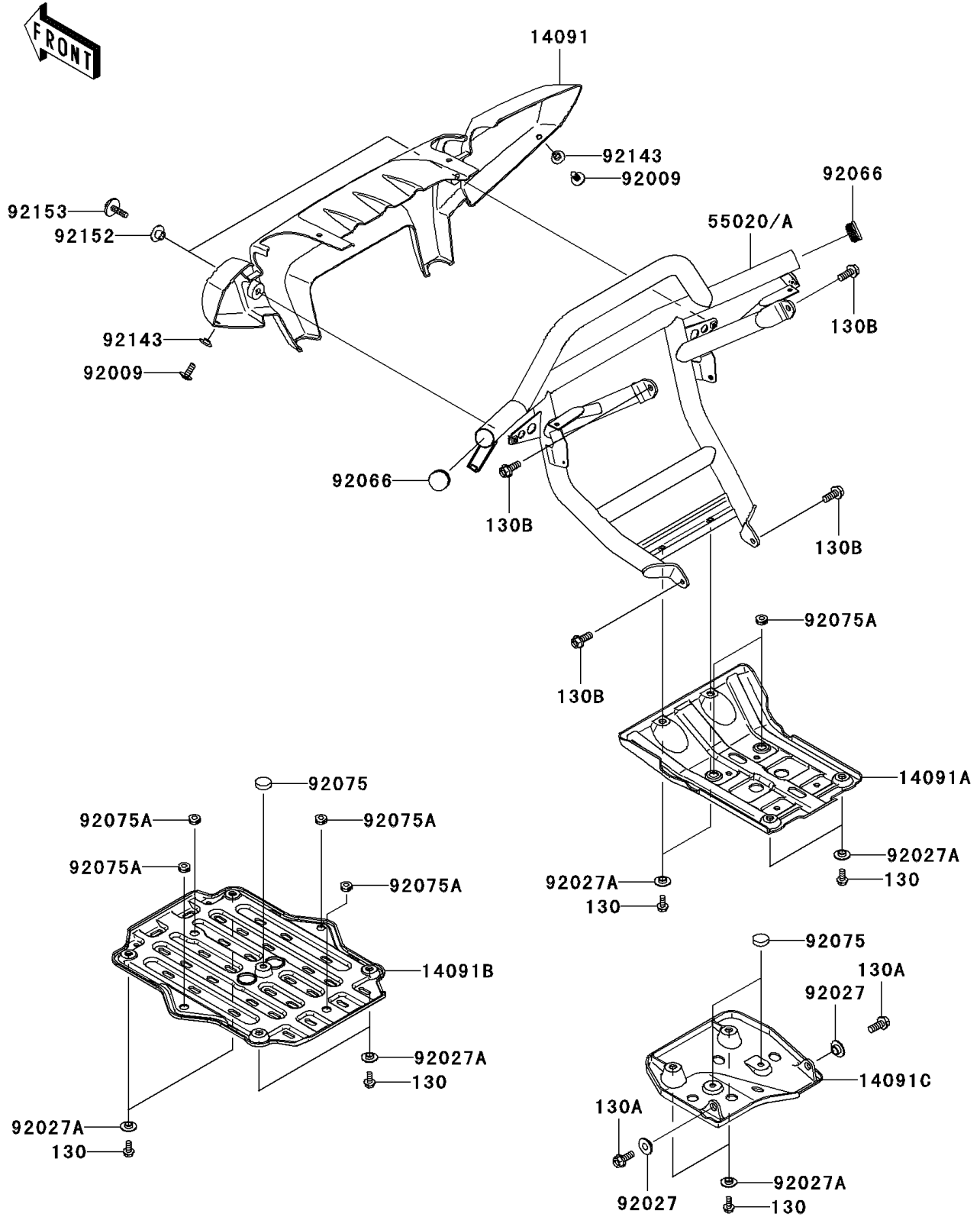


2010 Brute Force® 650 4x4 PARTS DIAGRAM

Guard(s)

F2680



2010 Brute Force® 650 4x4 PARTS LIST

Guard(s)

ITEM NAME	PART NUMBER	QUANTITY
BOLT-FLANGED,6X14 (Ref # 130)	130BB0614	10
BOLT-FLANGED,8X20 (Ref # 130A)	130BB0820	2
BOLT-FLANGED,8X20 (Ref # 130B)	130CA0820	4
COVER,FRONT BUMPER,F.BLACK (Ref # 14091)	14091-0291-6Z	1
COVER,FRONT DIFF,UNDER,F.BLACK (Ref # 14091A)	14091-0373-6Z	1
COVER,ENGINE,UNDER (Ref # 14091B)	14091-0374	1
COVER,REAR DIFF,UNDER (Ref # 14091C)	14091-0389	1
GUARD,FRONT,T.BLACK (Ref # 55020A)	55020-0131-388	1
SCREW,6X16 (Ref # 92009)	92009-1621	2
COLLAR (Ref # 92027)	92027-1908	2
COLLAR,L=4.7 (Ref # 92027A)	92027-1964	10
PLUG (Ref # 92066)	92066-0035	2
DAMPER,DUAL SEAT (Ref # 92075)	92075-023	3
DAMPER (Ref # 92075A)	92075-051	6
COLLAR (Ref # 92143)	92143-1087	2
COLLAR (Ref # 92152)	92152-0181	2
BOLT,SOCKET,6X22 (Ref # 92153)	92153-0665	2