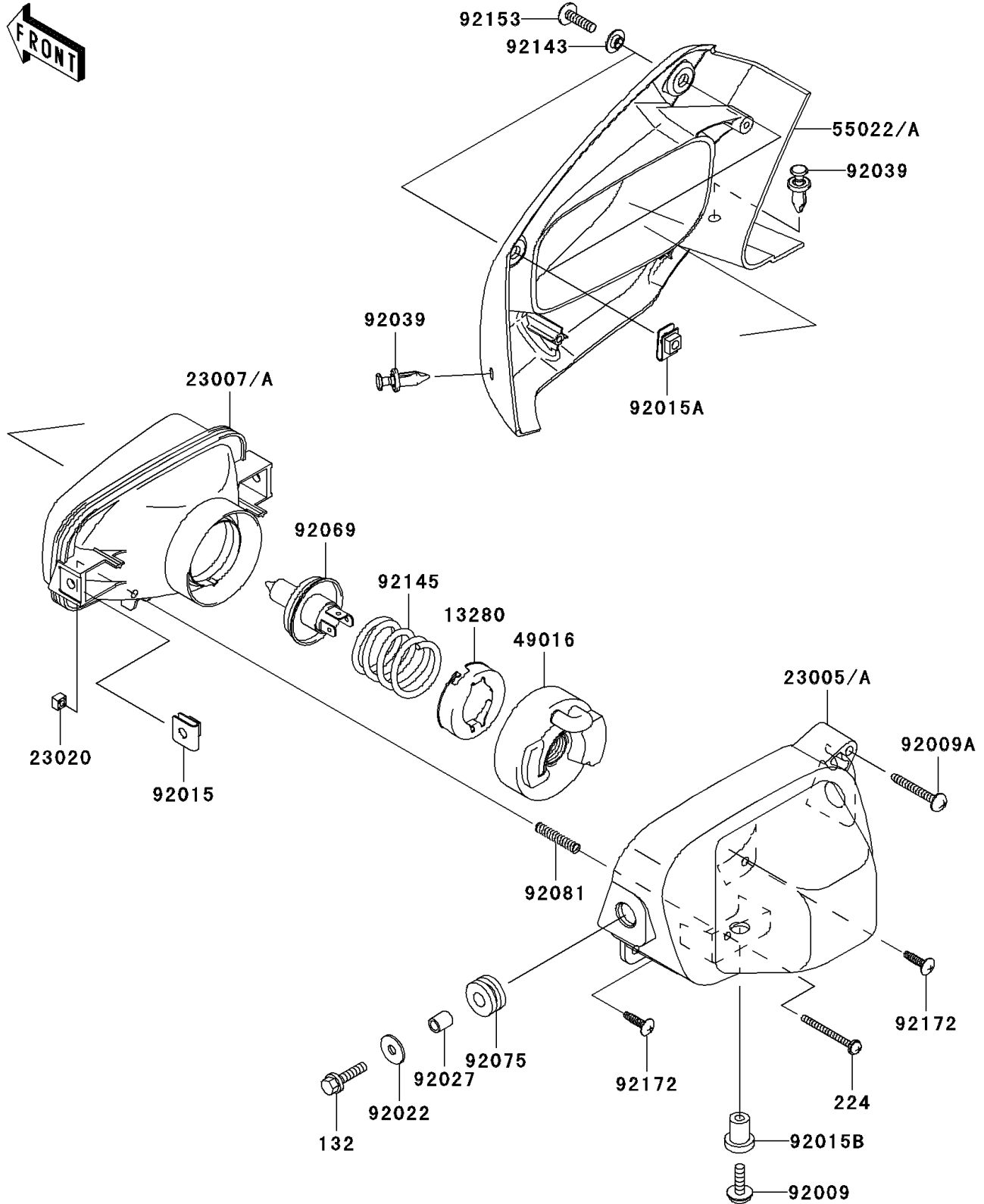


2009 Brute Force® 650 4x4 PARTS DIAGRAM

Headlight(s)

F2710



2009 Brute Force® 650 4x4 PARTS LIST

Headlight(s)

ITEM NAME	PART NUMBER	QUANTITY
BOLT-FLANGED-SMALL,6X25 (Ref # 132)	132BA0625	4
SCREW-PAN-WP-CROS,4X45 (Ref # 224)	224AA0445	2
HOLDER,BULB SETTING (Ref # 13280)	13280-1198	2
BODY-COMP-HEAD LAMP,LH (Ref # 23005)	23005-1180	1
BODY-COMP-HEAD LAMP,RH (Ref # 23005A)	23005-1181	1
LENS-COMP,HEAD LAMP,LH (Ref # 23007)	23007-1389	1
LENS-COMP,HEAD LAMP,RH (Ref # 23007A)	23007-1390	1
NUT,4MM,FOCUS ADJUST (Ref # 23020)	23020-018	2
COVER-SEAL,HEAD LAMP (Ref # 49016)	49016-1213	2
COVER-HEAD LAMP,LH,F.BLACK (Ref # 55022)	55022-0017-6Z	1
COVER-HEAD LAMP,RH,F.BLACK (Ref # 55022A)	55022-0018-6Z	1
SCREW,6X22 (Ref # 92009)	92009-1664	2
SCREW,TAPPING,5X40 (Ref # 92009A)	92009-1928	2
NUT,6MM (Ref # 92015)	92015-1094	4
NUT,6MM (Ref # 92015A)	92015-1602	4
NUT,RUBBER,6MM (Ref # 92015B)	92015-1692	2
WASHER,6.5X20X1.6 (Ref # 92022)	92022-125	4
COLLAR,6.8X10X12 (Ref # 92027)	92027-162	4
RIVET (Ref # 92039)	92039-1229	4
BULB,12V 45/45W,T15 (Ref # 92069)	92069-1114	2
DAMPER (Ref # 92075)	92075-1690	4
SPRING,FOCUS ADJUST (Ref # 92081)	92081-1896	2
COLLAR (Ref # 92143)	92143-1087	4
SPRING,BULB SETTING (Ref # 92145)	92145-1346	2
BOLT,SOCKET,6X22 (Ref # 92153)	92153-0574	4
SCREW (Ref # 92172)	92172-1072	4