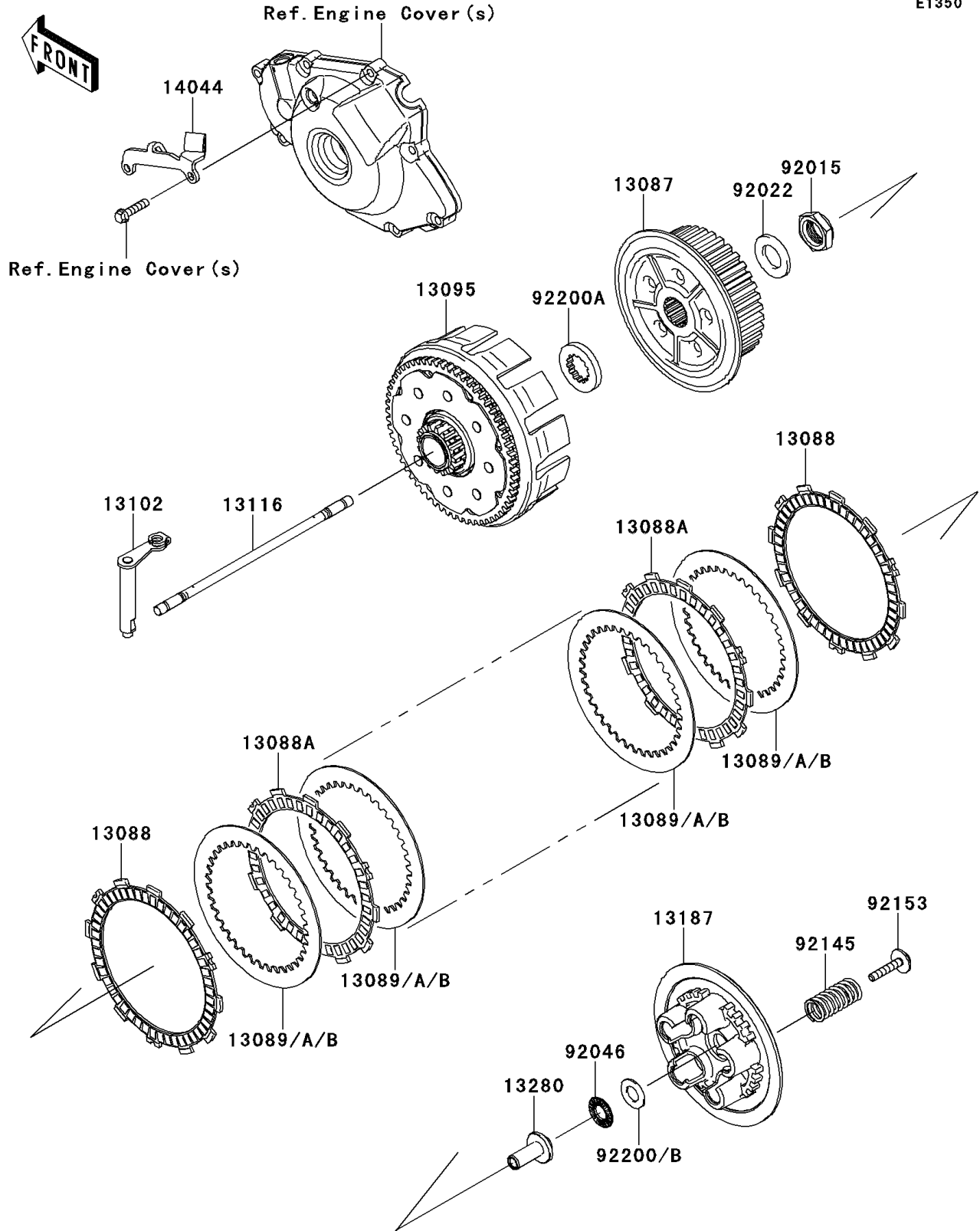


2014 KX™ 450F PARTS DIAGRAM

Clutch

E1350



2014 KX™ 450F PARTS LIST

Clutch

| ITEM NAME | PART NUMBER | QUANTITY |
|--|-------------|----------|
| HUB-CLUTCH (Ref # 13087) | 13087-0015 | 1 |
| PLATE-FRICTION (Ref # 13088) | 13088-0010 | 2 |
| PLATE-FRICTION (Ref # 13088A) | 13088-0051 | 6 |
| PLATE-CLUTCH,T=2.0 (Ref # 13089) | 13089-1005 | AR |
| PLATE-CLUTCH,T=1.2 (Ref # 13089A) | 13089-1010 | AR |
| PLATE-CLUTCH,T=1.6 (Ref # 13089B) | 13089-1095 | 7 |
| HOUSING-COMP-CLUTCH (Ref # 13095) | 13095-0122 | 1 |
| RELEASE-COMP-CLUTCH (Ref # 13102) | 13102-0035 | 1 |
| ROD-PUSH (Ref # 13116) | 13116-0013 | 1 |
| PLATE-CLUTCH OPERATING (Ref # 13187) | 13187-0018 | 1 |
| HOLDER (Ref # 13280) | 13280-0351 | 1 |
| HOLDER-CABLE (Ref # 14044) | 14044-0038 | 1 |
| NUT,20MM (Ref # 92015) | 92015-1725 | 1 |
| WASHER,20.3X36X3.7 (Ref # 92022) | 92022-1868 | 1 |
| BEARING-NEEDLE,FNTA-1326 (Ref # 92046) | 92046-1190 | 1 |
| SPRING,CLUTCH (Ref # 92145) | 92145-0862 | 5 |
| BOLT,WP,6X35 (Ref # 92153) | 92153-1876 | 5 |
| WASHER,13.4X25X1.0 (Ref # 92200) | 92200-0045 | AR |
| WASHER,25X41X5.5 (Ref # 92200A) | 92200-0245 | 1 |
| WASHER,13.4X25.0X1.5 (Ref # 92200B) | 92200-1548 | 1 |