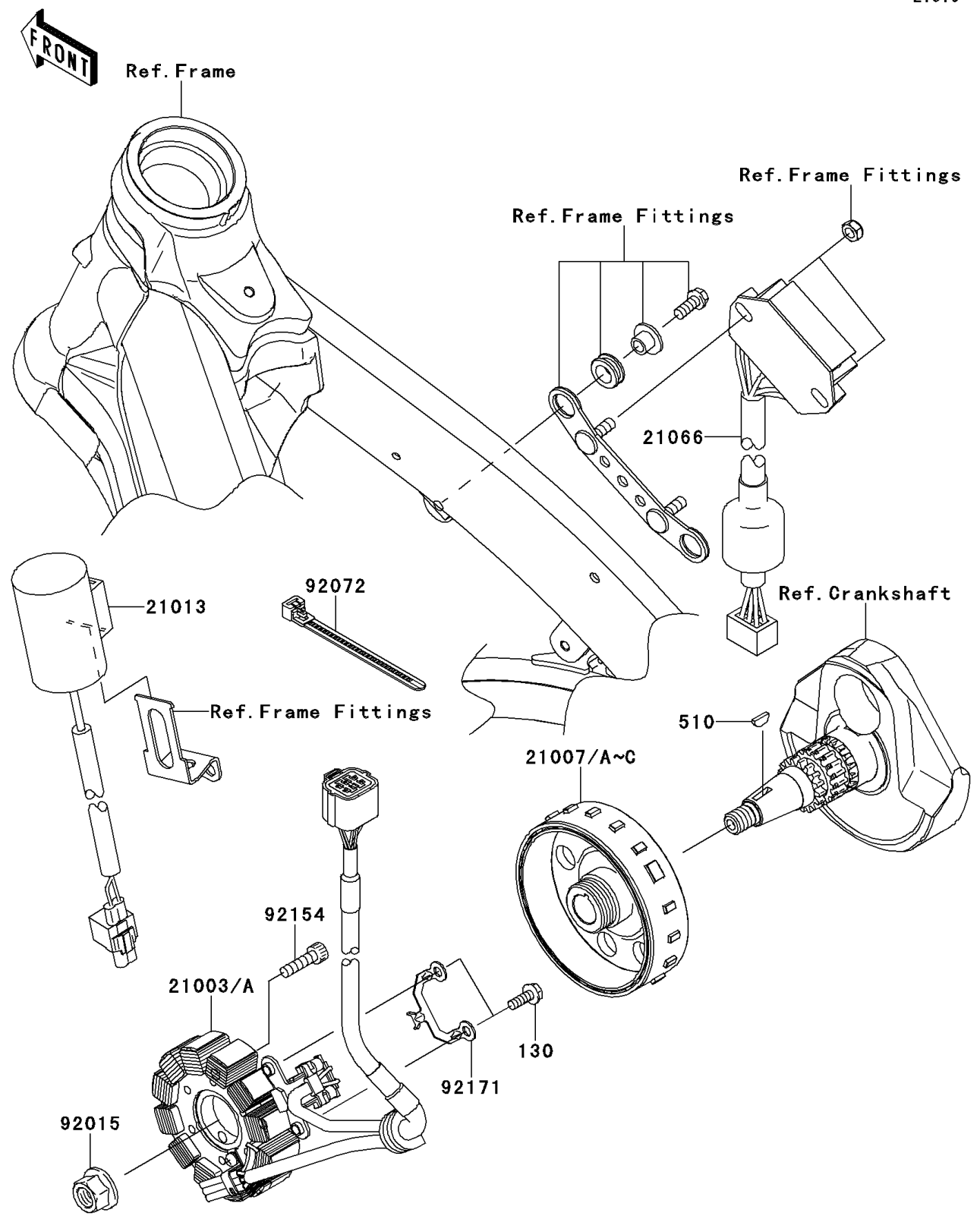


# 2013 KX™ 450F PARTS DIAGRAM

Generator

E1810



## 2013 KX™ 450F PARTS LIST

### Generator

ITEM NAME	PART NUMBER	QUANTITY
BOLT-FLANGED,5X14 (Ref # 130)	130BA0514	2
KEY-WOODRUFF (Ref # 510)	510A3200	1
STATOR (Ref # 21003)	21003-0082	1
ROTOR,I=9.0 (Ref # 21007)	21007-0122	1
ROTOR,I=8.5 (Ref # 21007A)	21007-0138	1
ROTOR,I=9.5 (Ref # 21007B)	21007-0139	1
CONDENSER (Ref # 21013)	21013-0001	1
REGULATOR-VOLTAGE (Ref # 21066)	21066-0721	1
NUT,12MM (Ref # 92015)	92015-1426	1
BAND,L=100 (Ref # 92072)	92072-0055	1
BOLT,SOCKET,6X22 (Ref # 92154)	92154-0031	3
CLAMP (Ref # 92171)	92171-1843	1