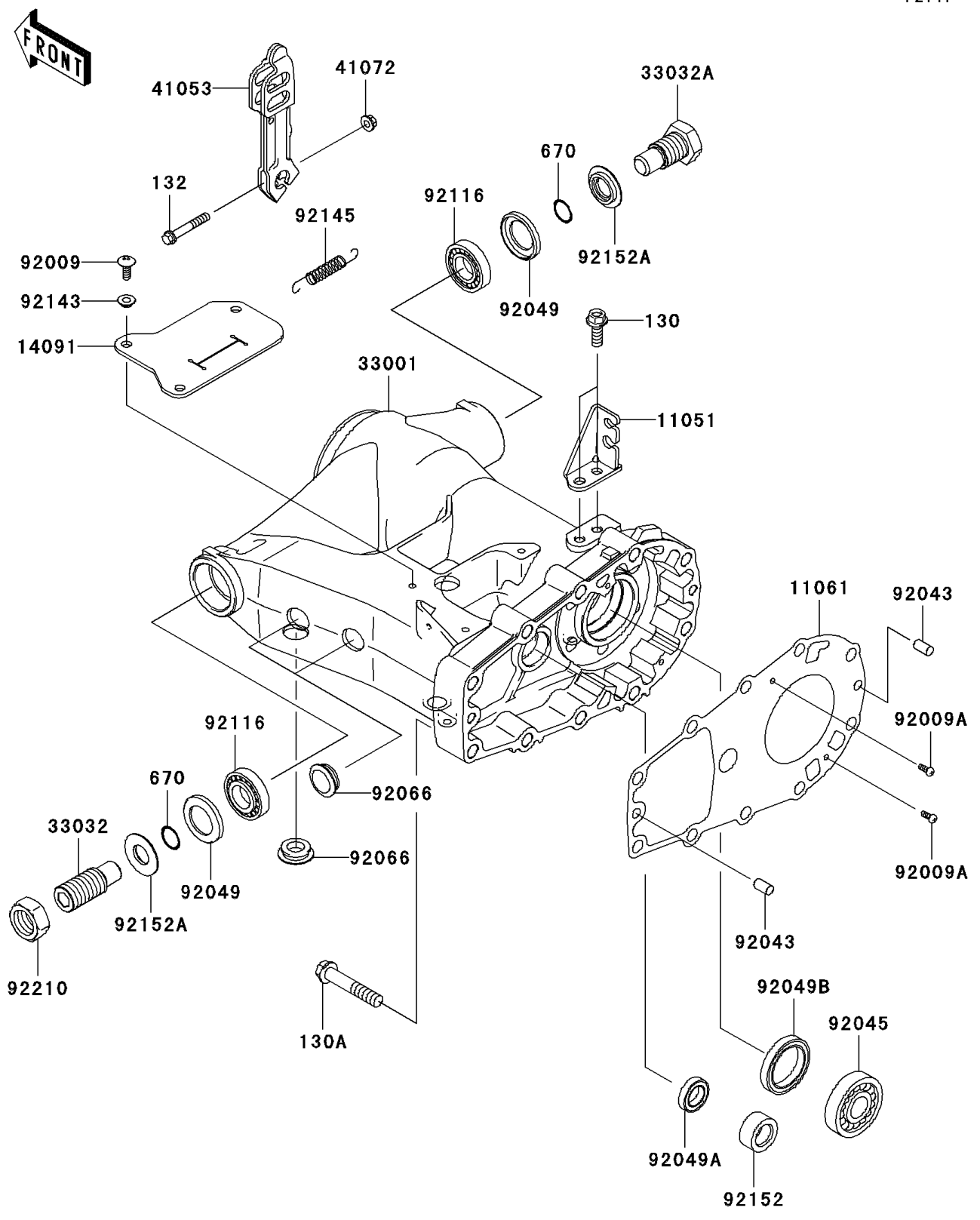


2006 Prairie 360 4X4 PARTS DIAGRAM

Swingarm

F2141



2006 Prairie 360 4X4 PARTS LIST

Swingarm

| ITEM NAME | PART NUMBER | QUANTITY |
|---|-------------|----------|
| BOLT-FLANGED,8X22 (Ref # 130) | 130BB0822 | 2 |
| BOLT-FLANGED,10X55 (Ref # 130A) | 130CA1055 | 10 |
| BOLT-FLANGED-SMALL,6X40 (Ref # 132) | 132BA0640 | 1 |
| O RING,16MM (Ref # 670) | 670B2016 | 2 |
| BRACKET,CABLE (Ref # 11051) | 11051-1762 | 1 |
| GASKET,SWING ARM (Ref # 11061) | 11061-1065 | 1 |
| COVER (Ref # 14091) | 14091-7508 | 1 |
| ARM-COMP-SWING (Ref # 33001) | 33001-7502 | 1 |
| SHAFT-SWING ARM,LEFT SIDE (Ref # 33032) | 33032-1197 | 1 |
| SHAFT-SWING ARM,RIGHT SIDE (Ref # 33032A) | 33032-1200 | 1 |
| LEVER-BRAKE CAM (Ref # 41053) | 41053-1094 | 1 |
| NUT,6MM (Ref # 41072) | 41072-007 | 1 |
| SCREW,TAPPING,6X16 (Ref # 92009) | 92009-1166 | 3 |
| SCREW,4X10 (Ref # 92009A) | 92009-1936 | 2 |
| PIN,8X14 (Ref # 92043) | 92043-1567 | 2 |
| BEARING-BALL,TMBO/28C3 (Ref # 92045) | 92045-0093 | 1 |
| SEAL-OIL,26406 (Ref # 92049) | 92049-1030 | 2 |
| SEAL-OIL,TC17X28X6 (Ref # 92049A) | 92049-1537 | 1 |
| SEAL-OIL,HTC35X48X7 (Ref # 92049B) | 92049-1538 | 1 |
| PLUG (Ref # 92066) | 92066-1534 | 3 |
| BEARING-ROLLER,4T30203E1 (Ref # 92116) | 92116-1001 | 2 |
| COLLAR (Ref # 92143) | 92143-1331 | 3 |
| SPRING,BRAKE LEVER RETURN (Ref # 92145) | 92145-1313 | 1 |
| COLLAR (Ref # 92152) | 92152-1240 | 1 |
| COLLAR (Ref # 92152A) | 92152-1356 | 2 |
| NUT,22MM (Ref # 92210) | 92210-0190 | 1 |