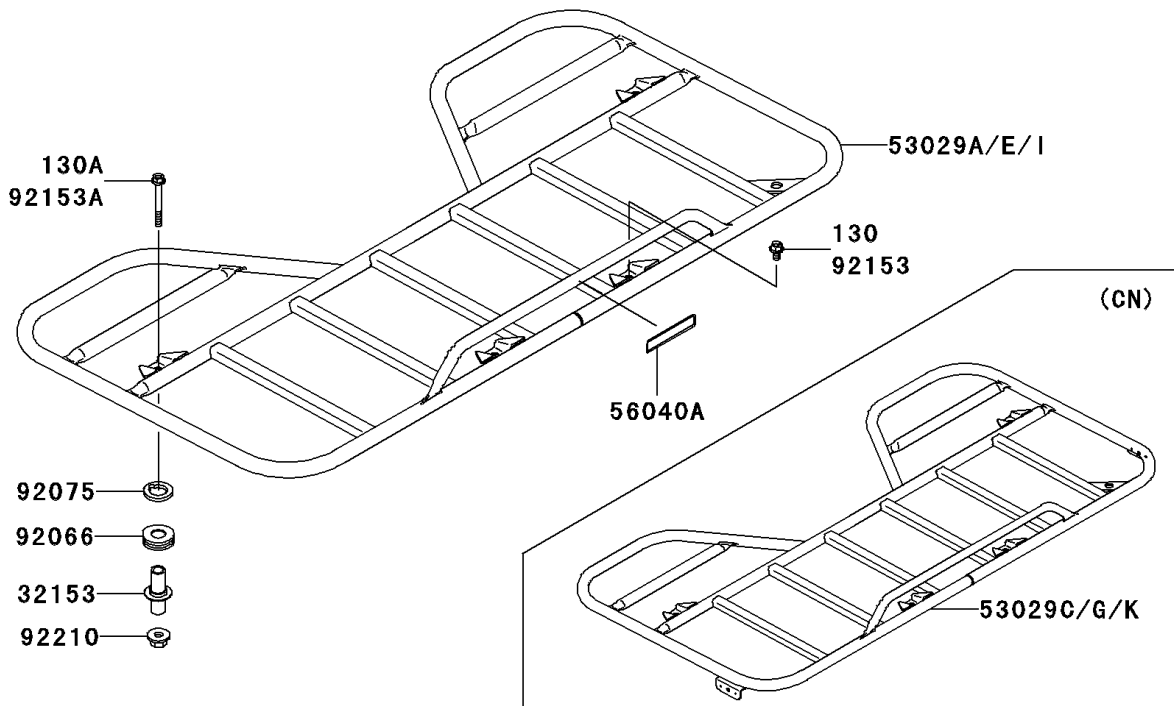
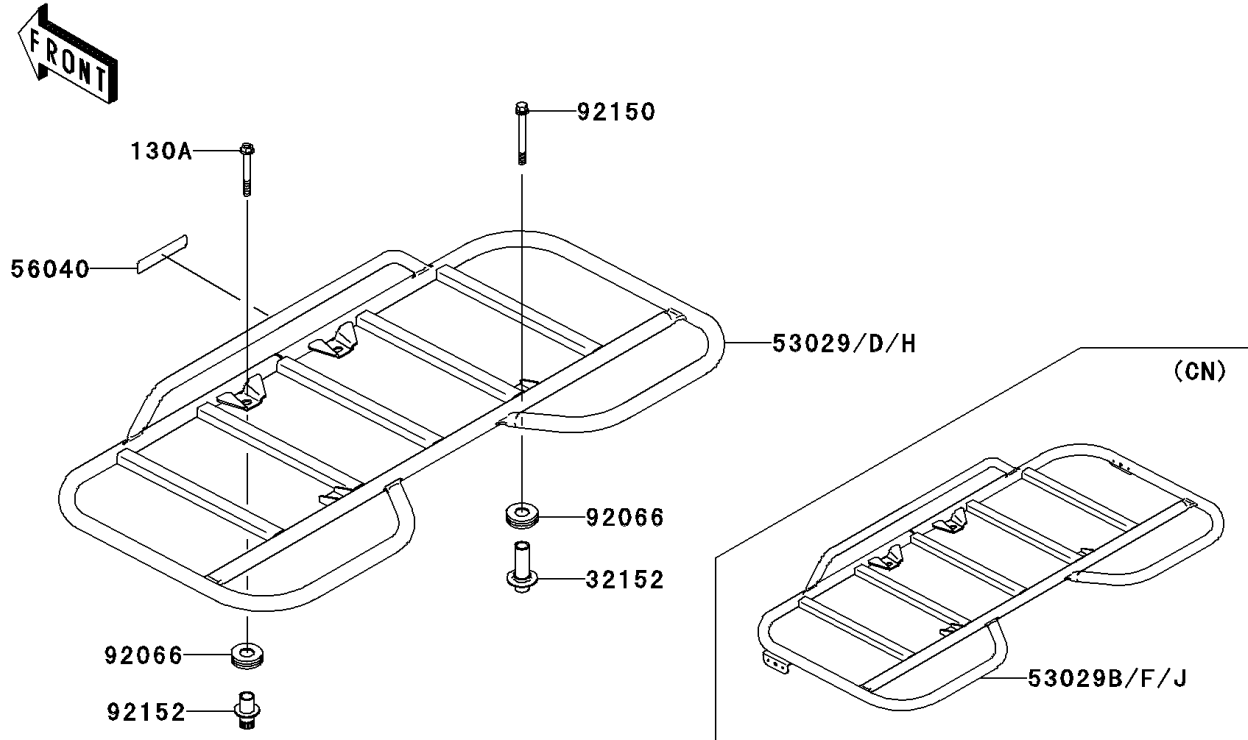


2009 Prairie® 360 4X4 PARTS DIAGRAM

Carrier(s)

F2520



2009 Prairie® 360 4X4 PARTS LIST

Carrier(s)

ITEM NAME	PART NUMBER	QUANTITY
BOLT-FLANGED,8X65 (Ref # 130A)	130CB0865	2
CIRCLIP-TYPE-C,17MM (Ref # 480)	480J1700	2
PIPE,FRONT CARRIER (Ref # 32152)	32152-1067	2
PIPE (Ref # 32153)	32153-7527	2
LABEL-WARNING,MAXIMUM LOAD (Ref # 56040)	56040-1321	1
LABEL-WARNING,MAXIMUM LOAD (Ref # 56040A)	56040-1322	1
PLUG (Ref # 92066)	92066-1438	6
DAMPER (Ref # 92075)	92075-1842	2
BOLT,FLANGED,8X80 (Ref # 92150)	92150-1808	2
COLLAR,L=42.5 (Ref # 92152)	92152-7504	2
BOLT,FLANGED,8X14 (Ref # 92153)	92153-0931	2
BOLT,FLANGED,8X65 (Ref # 92153A)	92153-1372	2
WASHER,18.5X32X2.3 (Ref # 92200)	92200-1043	2
NUT,FLANGED,LOCK,8MM (Ref # 92210)	92210-0005	2
CARRIER,FR,T.BLACK (Ref # 53029D)	53029-0065-388	1
CARRIER,RR,T.BLACK (Ref # 53029E)	53029-0066-388	1
CARRIER,FR,T.BLACK (Ref # 53029F)	53029-0067-388	1
CARRIER,RR,T.BLACK (Ref # 53029G)	53029-0068-388	1