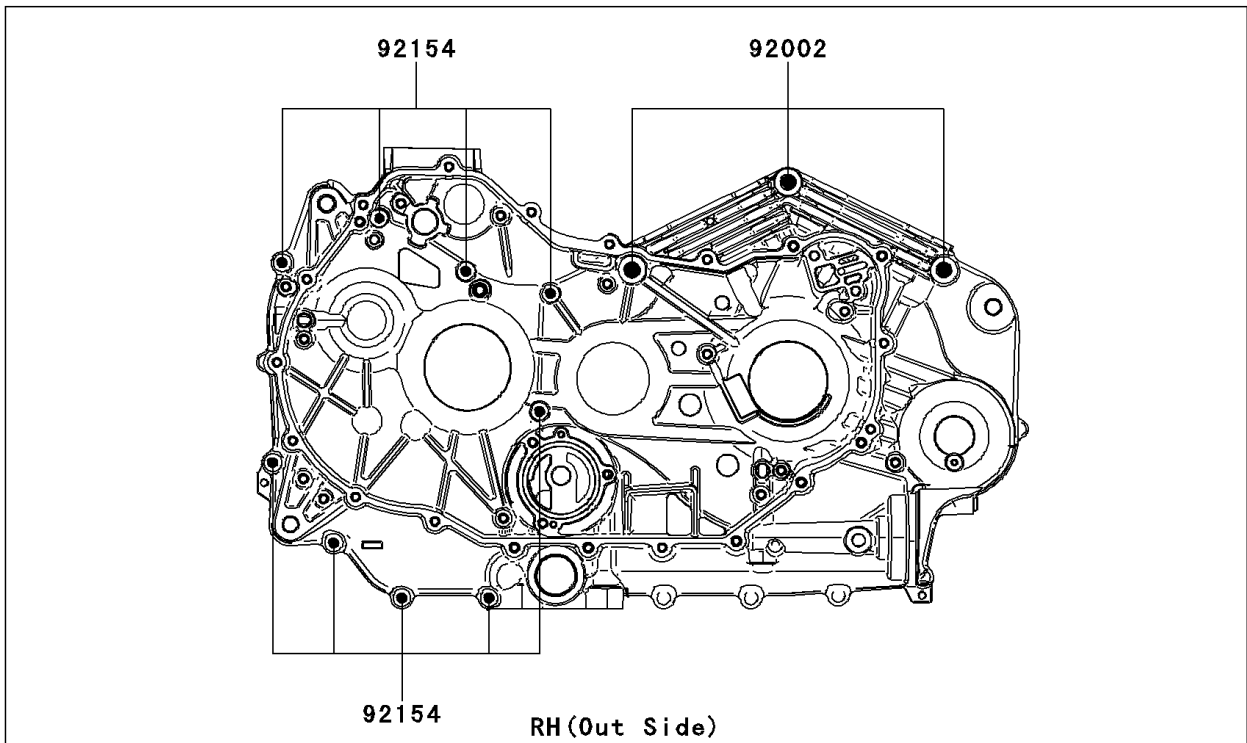
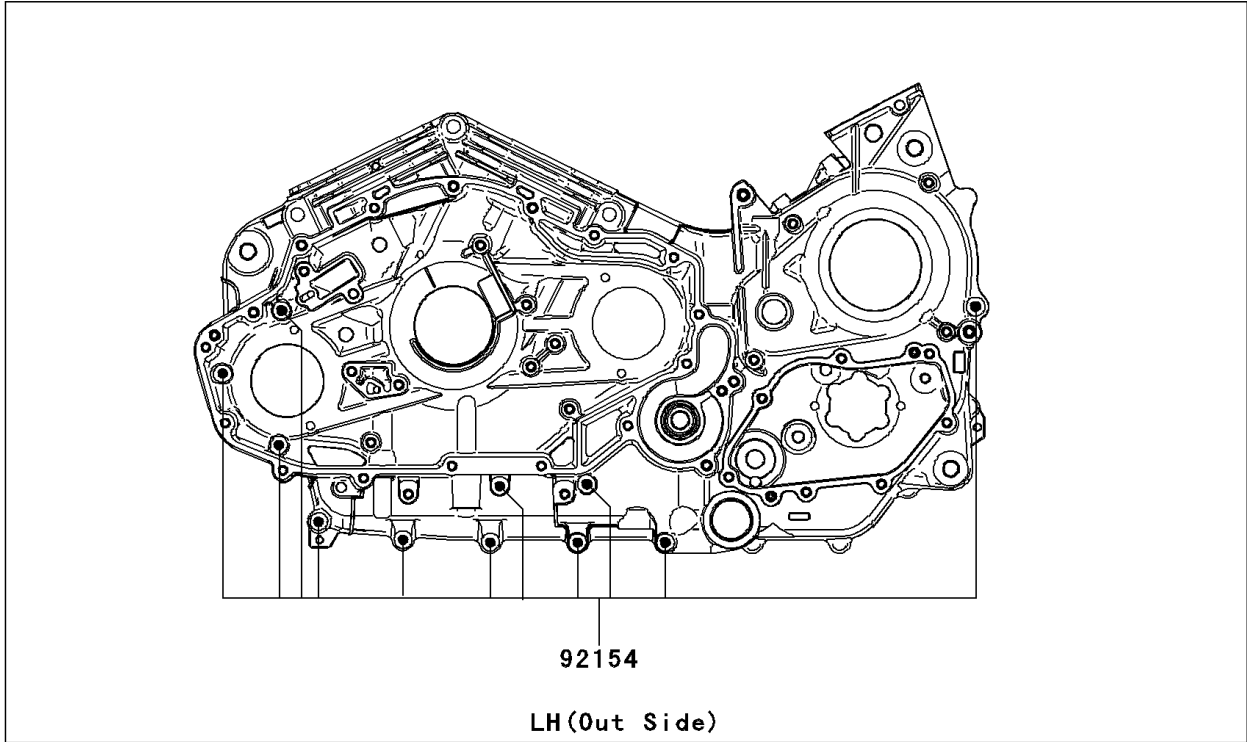


2013 VULCAN[®] 1700 NOMAD[™] PARTS DIAGRAM

Crankcase Bolt Pattern

E1412



2013 VULCAN® 1700 NOMAD™ PARTS LIST

Crankcase Bolt Pattern

| ITEM NAME | PART NUMBER | QUANTITY |
|---------------------------------------|-------------|----------|
| BOLT,FLANGED,10X190 (Ref # 92002) | 92002-1548 | 3 |
| BOLT,FLANGED-SMALL,6X90 (Ref # 92154) | 92154-0132 | 20 |