

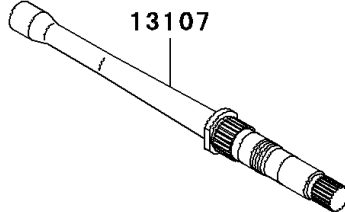
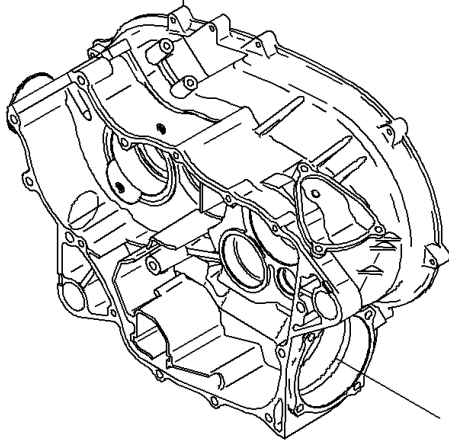
2008 Prairie® 360 PARTS DIAGRAM

Front Bevel Gear

E3131



Ref. Crankcase



49022/B

92172

92045

92210

92009

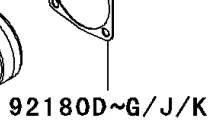
601

92210

49022A/C

41046

92045A



92180D~G/J/K

21007

120

480



13262

92151

92180/A~C/H/I

671

41046A

92049

92151

2008 Prairie® 360 PARTS LIST

Front Bevel Gear

ITEM NAME	PART NUMBER	QUANTITY
BOLT-SOCKET,6X12 (Ref # 120)	120CA0612	3
CIRCLIP-TYPE-C,28MM (Ref # 480)	480J2800	1
BEARING-BALL,#6206C3 (Ref # 601)	601B6206	1
O RING (Ref # 671)	671D2585	1
SHAFT,OUTPUT (Ref # 13107)	13107-0071	1
GEAR,OUTPUT,29T (Ref # 13262)	13262-0494	1
ROTOR,REVERSE SENSOR (Ref # 21007)	21007-1416	1
HOUSING-BEARING (Ref # 41046)	41046-1101	1
HOUSING-BEARING (Ref # 41046A)	41046-1102	1
GEAR-BEVEL,DRIVEN,21T (Ref # 49022)	49022-0020	1
GEAR-BEVEL,DRIVE,20T (Ref # 49022C)	49022-1184	1
SCREW,64MM (Ref # 92009)	92009-1914	1
BEARING-BALL,6306SH2 (Ref # 92045)	92045-1190	1
BEARING-BALL,62/28 (Ref # 92045A)	92045-1207	1
SEAL-OIL (Ref # 92049)	92049-0095	1
BOLT-FLANGED-SMALL,8X30 (Ref # 92151)	92151-1688	8
SCREW,SET,75X10 (Ref # 92172)	92172-0371	1
SHIM,DRIVEN,T=0.15 (Ref # 92180)	92180-1307	AR
SHIM,DRIVEN,T=0.20 (Ref # 92180A)	92180-1308	AR
SHIM,DRIVEN,T=0.50 (Ref # 92180B)	92180-1309	AR
SHIM,DRIVEN,T=0.80 (Ref # 92180C)	92180-1310	AR
SHIM,DRIVE,T=0.15 (Ref # 92180D)	92180-1311	AR
SHIM,DRIVE,T=0.20 (Ref # 92180E)	92180-1312	AR
SHIM,DRIVE,T=0.50 (Ref # 92180F)	92180-1313	AR
SHIM,DRIVE,T=0.80 (Ref # 92180G)	92180-1314	AR
SHIM,DRIVEN,T=1.00 (Ref # 92180H)	92180-1349	AR
SHIM,DRIVEN,T=1.20 (Ref # 92180I)	92180-1350	AR
SHIM,DRIVE,T=1.00 (Ref # 92180J)	92180-1351	AR
SHIM,DRIVE,T=1.20 (Ref # 92180K)	92180-1352	AR

2008 Prairie® 360 PARTS LIST

Front Bevel Gear

ITEM NAME	PART NUMBER	QUANTITY
NUT,30MM (Ref # 92210)	92210-1294	2