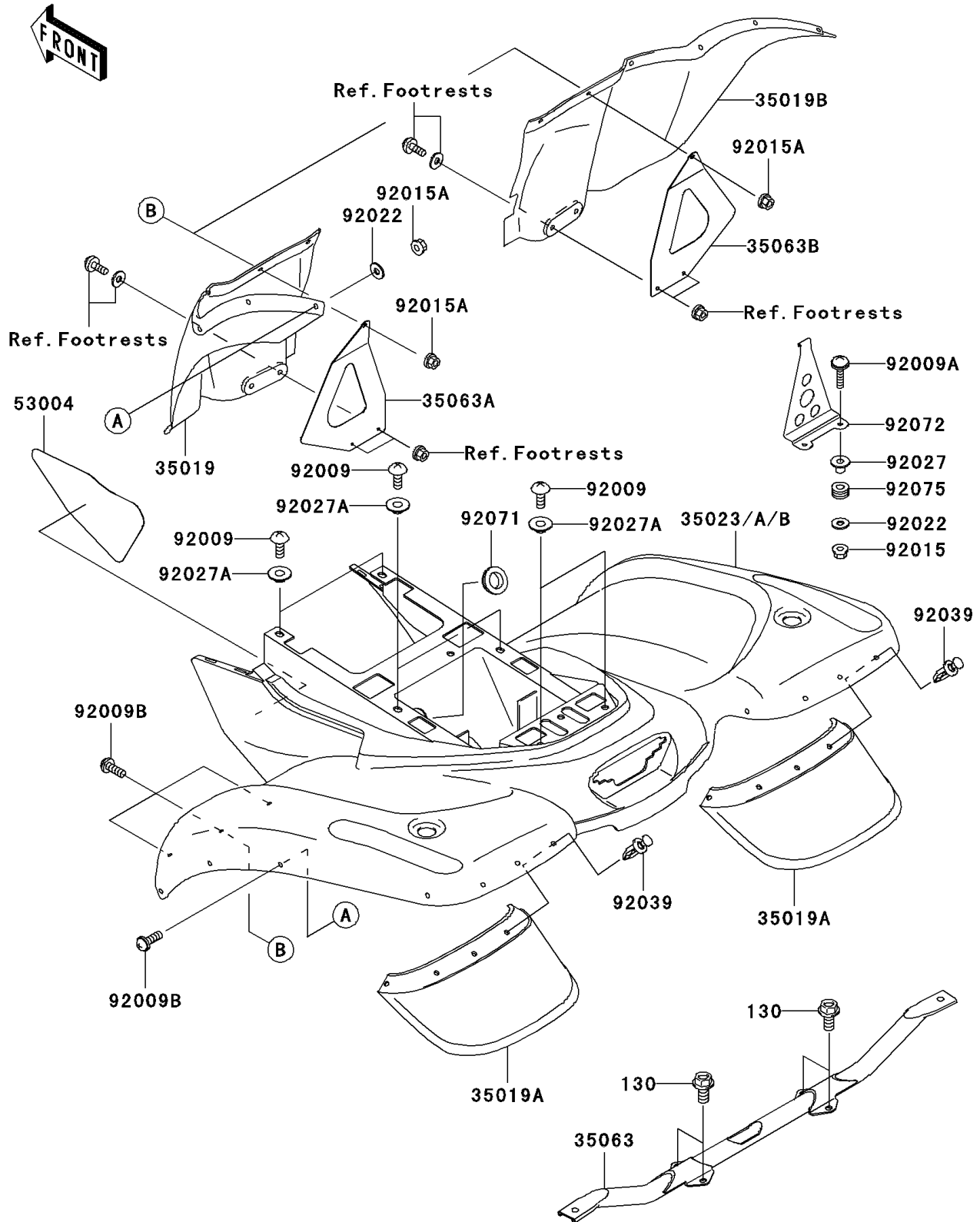


2009 Prairie® 360 PARTS DIAGRAM

Rear Fender(s)

F2172



2009 Prairie® 360 PARTS LIST

Rear Fender(s)

ITEM NAME	PART NUMBER	QUANTITY
BOLT-FLANGED,8X16 (Ref # 130)	130BB0816	4
FLAP,RR,FR,LH,F.BLACK (Ref # 35019)	35019-1334-6Z	1
FLAP,RR,RR,F.BLACK (Ref # 35019A)	35019-1336-6Z	2
FLAP,RR,FR,RH,F.BLACK (Ref # 35019B)	35019-1375-6Z	1
FENDER-REAR,W.GREEN (Ref # 35023A)	35023-1579-286	1
FENDER-REAR,S.RED (Ref # 35023B)	35023-1579-6B	1
STAY,REAR FENDER (Ref # 35063)	35063-7505	1
STAY,REAR FENDER,LH (Ref # 35063A)	35063-7508	1
STAY,REAR FENDER,RH (Ref # 35063B)	35063-7509	1
MAT,REAR FENDER (Ref # 53004)	53004-1173	1
SCREW,TAPPING,6X16 (Ref # 92009)	92009-1166	6
SCREW,6X25 (Ref # 92009A)	92009-1465	2
SCREW,6X16 (Ref # 92009B)	92009-1621	12
NUT,FLANGED,6MM,BLACK (Ref # 92015)	92015-1233	2
NUT,FLANGED,6MM (Ref # 92015A)	92015-1367	12
WASHER,6.5X16X1.0 (Ref # 92022)	92022-1093	12
COLLAR,FLANGED,L=12.1,BLACK (Ref # 92027)	92027-1651	2
COLLAR,L=4.7 (Ref # 92027A)	92027-1964	6
RIVET (Ref # 92039)	92039-1229	10
GROMMET (Ref # 92071)	92071-1237	1
BAND (Ref # 92072)	92072-1361	1
DAMPER,CASE (Ref # 92075)	92075-222	2