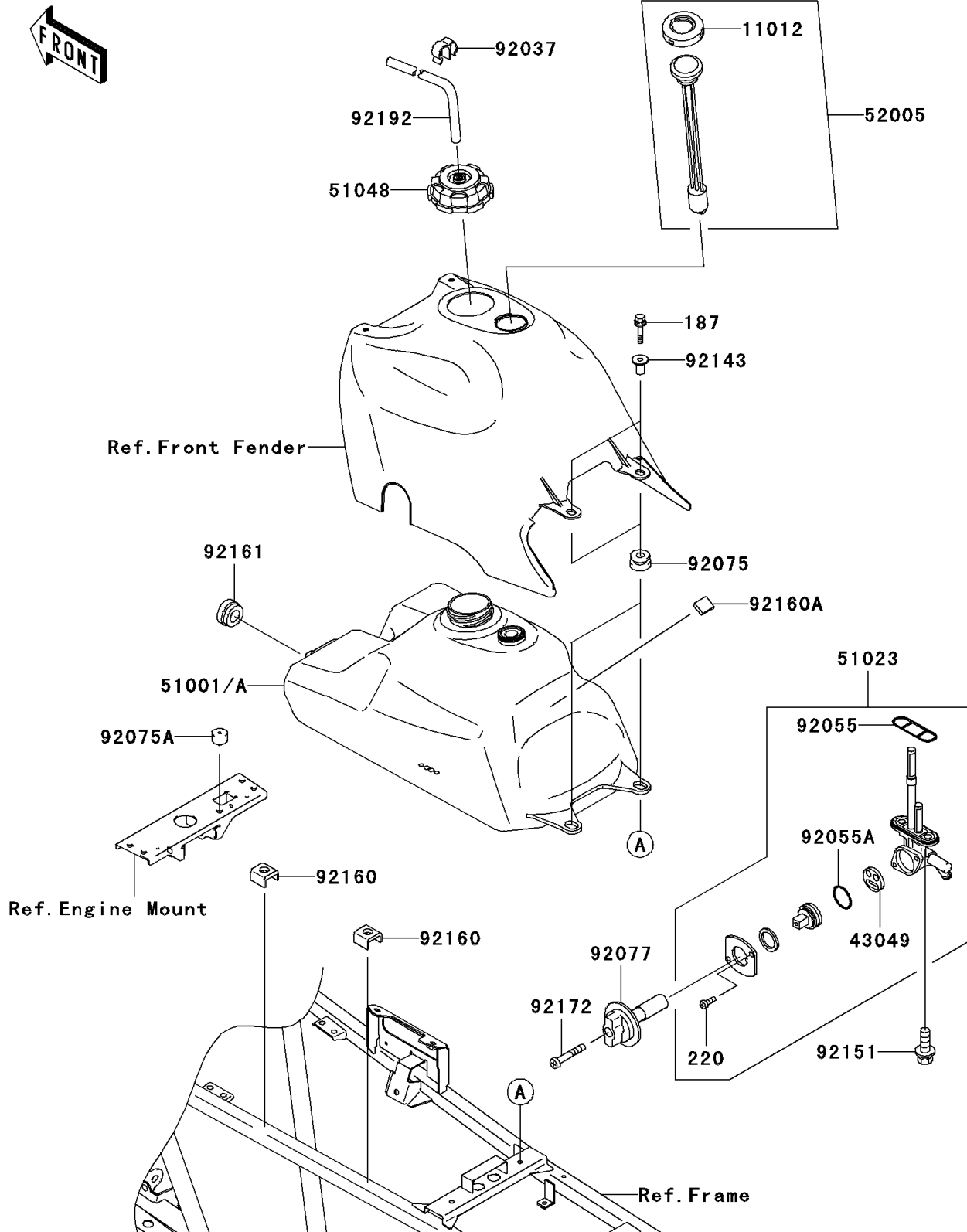


2009 Prairie® 360 PARTS DIAGRAM

Fuel Tank

F2410



2009 Prairie® 360 PARTS LIST

Fuel Tank

ITEM NAME	PART NUMBER	QUANTITY
BOLT-UPSET-WSP,6X35 (Ref # 187)	187BA0635	2
SCREW-PAN-CROS,3X8 (Ref # 220)	220AA0308	2
CAP,FUEL GAUGE (Ref # 11012)	11012-1627	1
PACKING,TAP VALVE (Ref # 43049)	43049-1091	1
TANK-COMP-FUEL (Ref # 51001)	51001-0199	1
TAP-ASSY,FUEL (Ref # 51023)	51023-1402	1
CAP-ASSY-TANK,FUEL (Ref # 51048)	51048-1133	1
GAUGE,FUEL (Ref # 52005)	52005-7501	1
CLAMP (Ref # 92037)	92037-1458	1
RING-O,FUEL TAP PACKING (Ref # 92055)	92055-1112	1
RING-O,TAP LEVER (Ref # 92055A)	92055-1419	1
DAMPER (Ref # 92075)	92075-1787	2
DAMPER (Ref # 92075A)	92075-1876	1
KNOB,FUEL TAP (Ref # 92077)	92077-1098	1
COLLAR,L=19.6 (Ref # 92143)	92143-1100	2
BOLT,6X14 (Ref # 92151)	92151-1198	2
DAMPER (Ref # 92160)	92160-1773	2
DAMPER,25X25 (Ref # 92160A)	92160-3864	1
DAMPER (Ref # 92161)	92161-7502	1
SCREW,4X25 (Ref # 92172)	92172-1073	1
TUBE,5X9X450 (Ref # 92192)	92192-0750	1