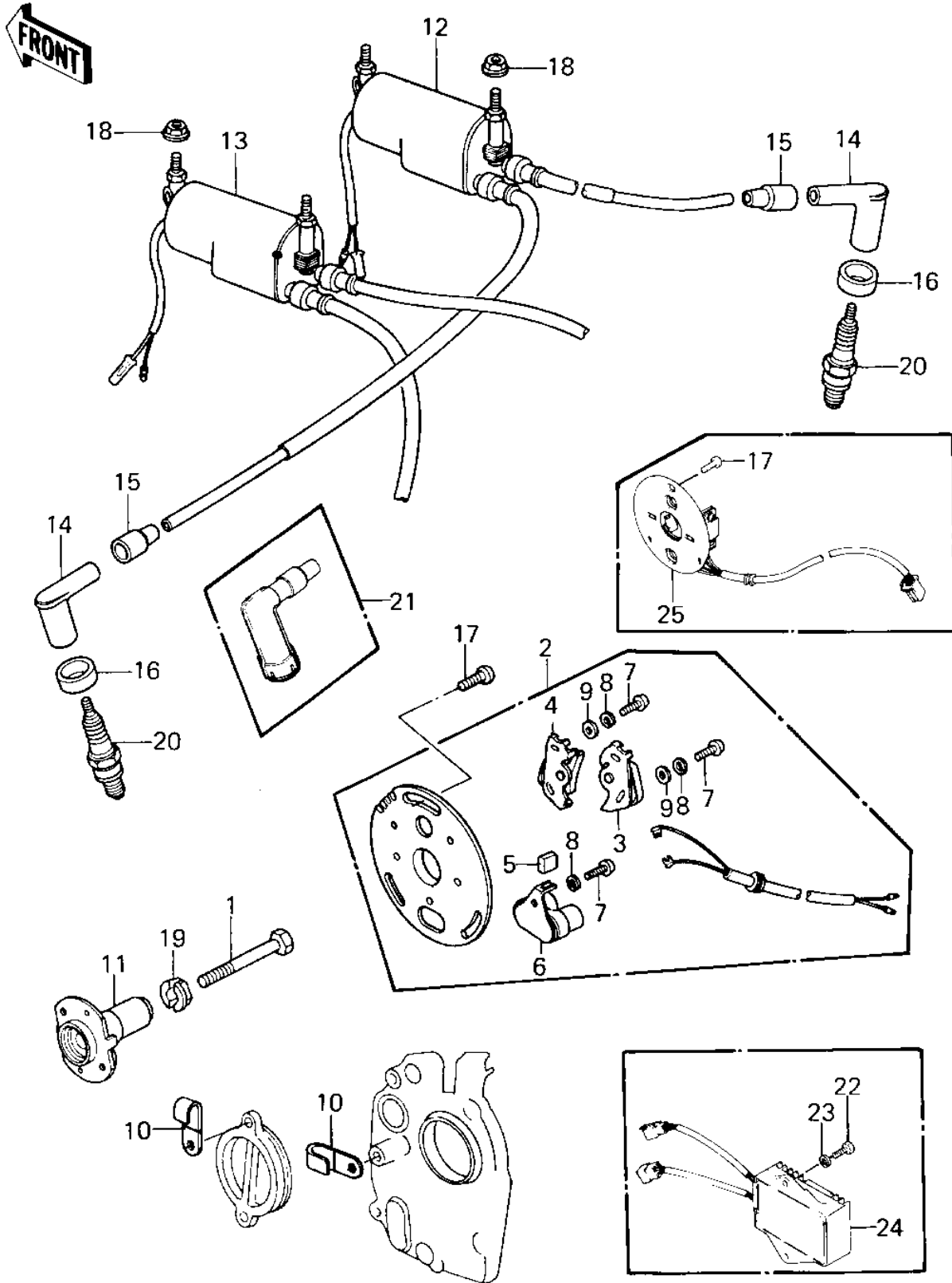


# 1980 KZ550-A1 PARTS DIAGRAM

IGNITION ('80-'81 A2/A3)



# 1980 KZ550-A1 PARTS LIST

IGNITION ('80-'81 A2/A3)

ITEM NAME	PART NUMBER	QUANTITY
BOLT-8X63 (Ref # 1)	92001-1397	1
BOLT-8X63 (Ref # 1)	92001-1397	1
BREAKER ASSY,CONTACT (Ref # 2)	21008-1015	1
BREAKER,CONTACT (Ref # 3)	21008-027	1
BREAKER,CONTACT (Ref # 4)	21008-028	1
FELT OIL (Ref # 5)	21019-005	1
CONDENSER (Ref # 6)	21013-037	1
SCREW PAN HEAD 4X6 (Ref # 7)	220B0406	5
WASHER SPRING 4MM (Ref # 8)	461F0400	5
WASHER PLAIN 4MM (Ref # 9)	410B0400	4
CLAMP,WIRING HARNESS (Ref # 10)	21126-008	2
ADVANCER,AUTO TIMING (Ref # 11)	21148-1005	1
ADVANCER, (Ref # 11)	21148-1016	1
COIL,IGNITION,#1/#4 (Ref # 12)	21121-1010	1
COIL,IGNITION #1/4 (Ref # 12)	21121-1035	1
COIL,IGNITION #2/#3 (Ref # 13)	21121-1011	1
COIL,IGNITION,#2/3 (Ref # 13)	21121-1036	1
CAP,SPARK PLUG"LD05F" (Ref # 14)	21130-1003	4
GROMMET,SPARK PLG CAP (Ref # 15)	21132-005	4
GROMMET,SPARK PLUG (Ref # 16)	92071-1015	4
SCREW PAN HEAD 5X12 (Ref # 17)	220B0512	3
NUT-6MM (Ref # 18)	92015-1078	4
WASHER,SPARK ADVANCER (Ref # 19)	92022-244	1
SPARK PLUG D8EA (Ref # 20)	D8EA	4
21160-1016 (Canada) (Ref # 21)	21160-1002	4
BOLT-UPSET,6X16 (Ref # 22)	112G0616	2
WASHER SPRING 6MM (Ref # 23)	461F0600	2
IGNITER (Ref # 24)	21119-1040	1
COIL,PULSING (Ref # 25)	59026-1009	1