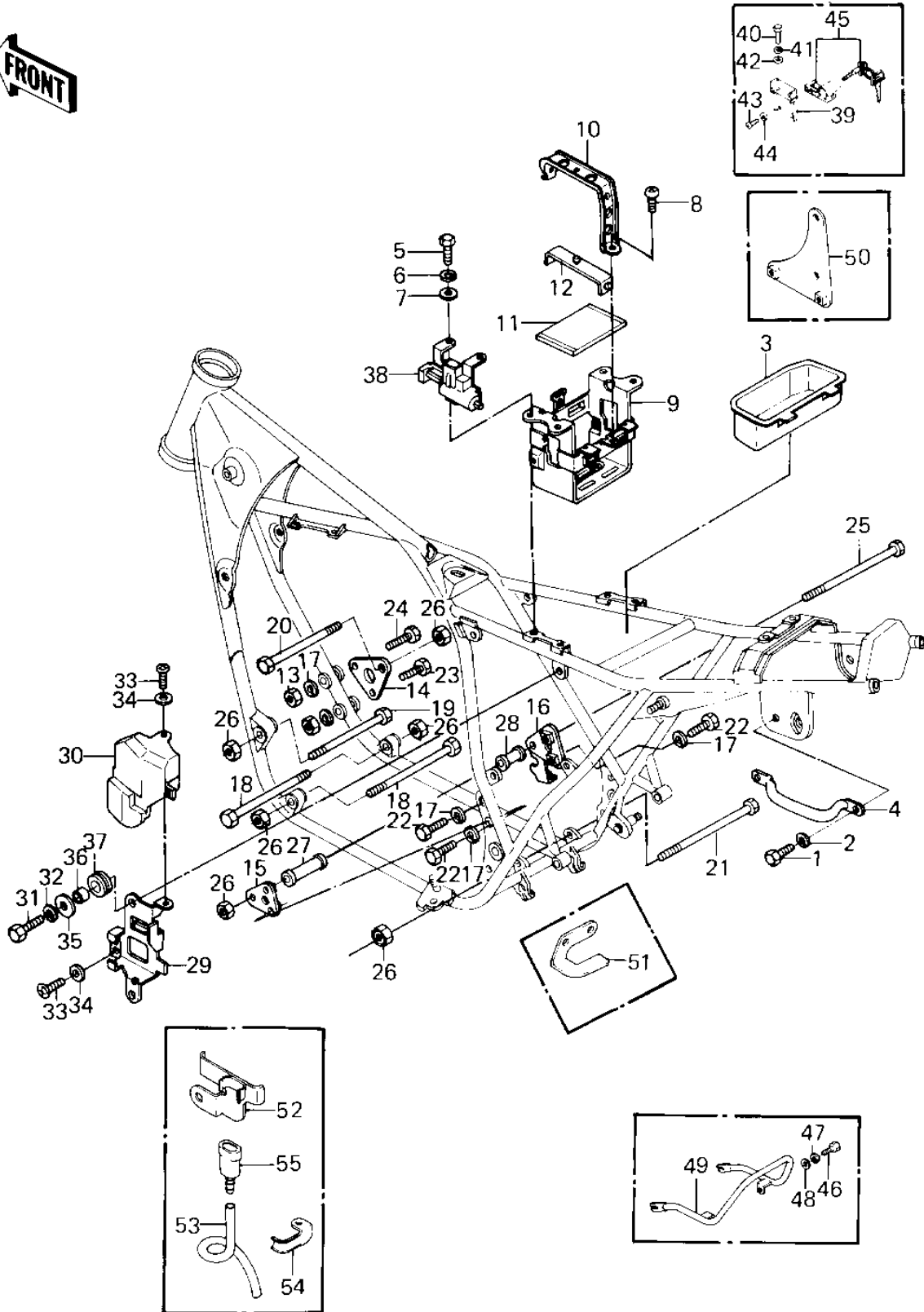


1980 KZ550-A1 PARTS DIAGRAM

FRAME FITTINGS/BATTERY CASE ('80-'81 A1/



1980 KZ550-A1 PARTS LIST

FRAME FITTINGS/BATTERY CASE ('80-'81 A1/

ITEM NAME	PART NUMBER	QUANTITY
BOLT-SMALL-UPSET,8X16 (Ref # 1)	115G0816	1
WASHER SPRING 8MM (Ref # 2)	461F0800	1
CASE,TOOL (Ref # 3)	32098-1005	1
GRIP,FRAME (Ref # 4)	32109-1005	1
BOLT-UPSET,6X12 (Ref # 5)	112G0612	4
WASHER SPRING 6MM (Ref # 6)	461F0600	4
WASHER PLAIN 6MM (Ref # 7)	411B0600	4
SCREW PAN HEAD 6X12 (Ref # 8)	220B0612	1
CASE,BATTERY (Ref # 9)	32097-1026	1
CASE,BATTERY (Ref # 9)	32097-1027	1
BAND,BATTERY (Ref # 10)	92072-1019	1
DAMPER,BATTERY BASE (Ref # 11)	92075-1076	1
DAMPER,BATTERY BAND (Ref # 12)	92075-1113	1
NUT,8M/M (Ref # 13)	317B0800	2
BRACKET,ENGINE (Ref # 14)	32029-1048	1
BRACKET,ENGINE (Ref # 15)	32029-1049	1
BRACKET,ENGINE (Ref # 16)	32029-1050	1
WASHER SPRING 8MM (Ref # 17)	461F0800	1
BOLT,HEX HEAD,10X84 (Ref # 18)	92001-1048	2
BOLT,HEX HEAD,10X72 (Ref # 19)	92001-1049	1
BOLT,FLANGED,10X60 (Ref # 20)	92001-1599	1
BOLT,FLANGED,10X180 (Ref # 21)	92001-1606	1
BOLT (Ref # 22)	92001-1578	4
BOLT (Ref # 22)	92001-1578	4
BOLT,HEX HEAD,8X59 (Ref # 23)	110G0859	1
BOLT,FLANGED,8X60 (Ref # 23)	92001-1581	1
BOLT-8X63 (Ref # 24)	92001-1397	1
BOLT-8X63 (Ref # 24)	92001-1397	1
BOLT,FLANGED,10X255 (Ref # 25)	92001-1609	1

1980 KZ550-A1 PARTS LIST

FRAME FITTINGS/BATTERY CASE ('80-'81 A1/

ITEM NAME	PART NUMBER	QUANTITY
NUT,LOCK,10MM (Ref # 26)	92019-021	6
COLLAR,L=57.5M/M (Ref # 27)	92027-1109	1
COLLAR,L=37M/M (Ref # 28)	92027-1110	1
BRACKET,ELECTRO BASE (Ref # 29)	11034-1239	1
COVER,ELECTRO (Ref # 30)	14025-1049	1
BOLT-UPSET,6X20 (Ref # 31)	112G0620	2
WASHER SPRING 6MM (Ref # 32)	461F0600	2
SCREW PAN HEAD 6X12 (Ref # 33)	220B0612	2
WASHER PLAIN (Ref # 34)	92022-024	2
WASHER 6.5X20X1.6T (Ref # 35)	92022-125	2
COLLAR (Ref # 36)	92027-165	2
DAMPER RUBBER (Ref # 37)	92075-149	2
HOOK ASSY,HELMET (Ref # 38)	53045-1001	1
BRACKET,HELMET LOCK (Ref # 39)	11034-1926	1
BOLT-UPSET 6X14 (Ref # 40)	112B0614	2
WASHER SPRING 6MM (Ref # 41)	461F0600	2
WASHER PLAIN 6MM (Ref # 42)	411B0600	2
SCREW PAN HEAD 5X10 (Ref # 43)	220B0510	2
WASHER SPRING 5MM (Ref # 44)	461F0500	2
LOCK ASSY,HELMET (Ref # 45)	27016-5038	1
BOLT-SMALL-UPSET,8X16 (Ref # 46)	115G0816	2
WASHER SPRING 8MM (Ref # 47)	461F0800	2
WASHER PLAIN 8MM (Ref # 48)	410B0800	2
STAY,RR (Ref # 49)	35011-1074	1
BRACKET,RESERVE LIGHT (Ref # 50)	11036-1020	1
BRACKET,FUSE (Ref # 51)	11036-1026	1
BRACKET,BATTERY (Ref # 52)	11036-1470	1
TUBE-PVC,6X530 (Ref # 53)	701Q06530	1
CLAMP,BREATHER TUBE (Ref # 54)	92037-1246	1