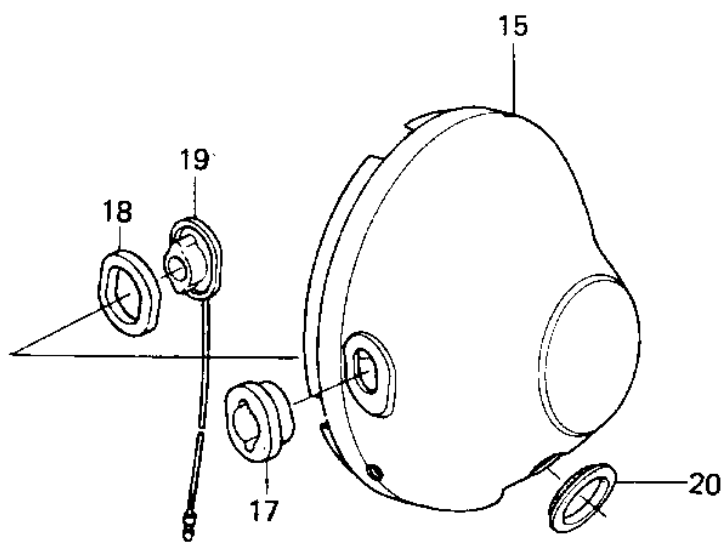
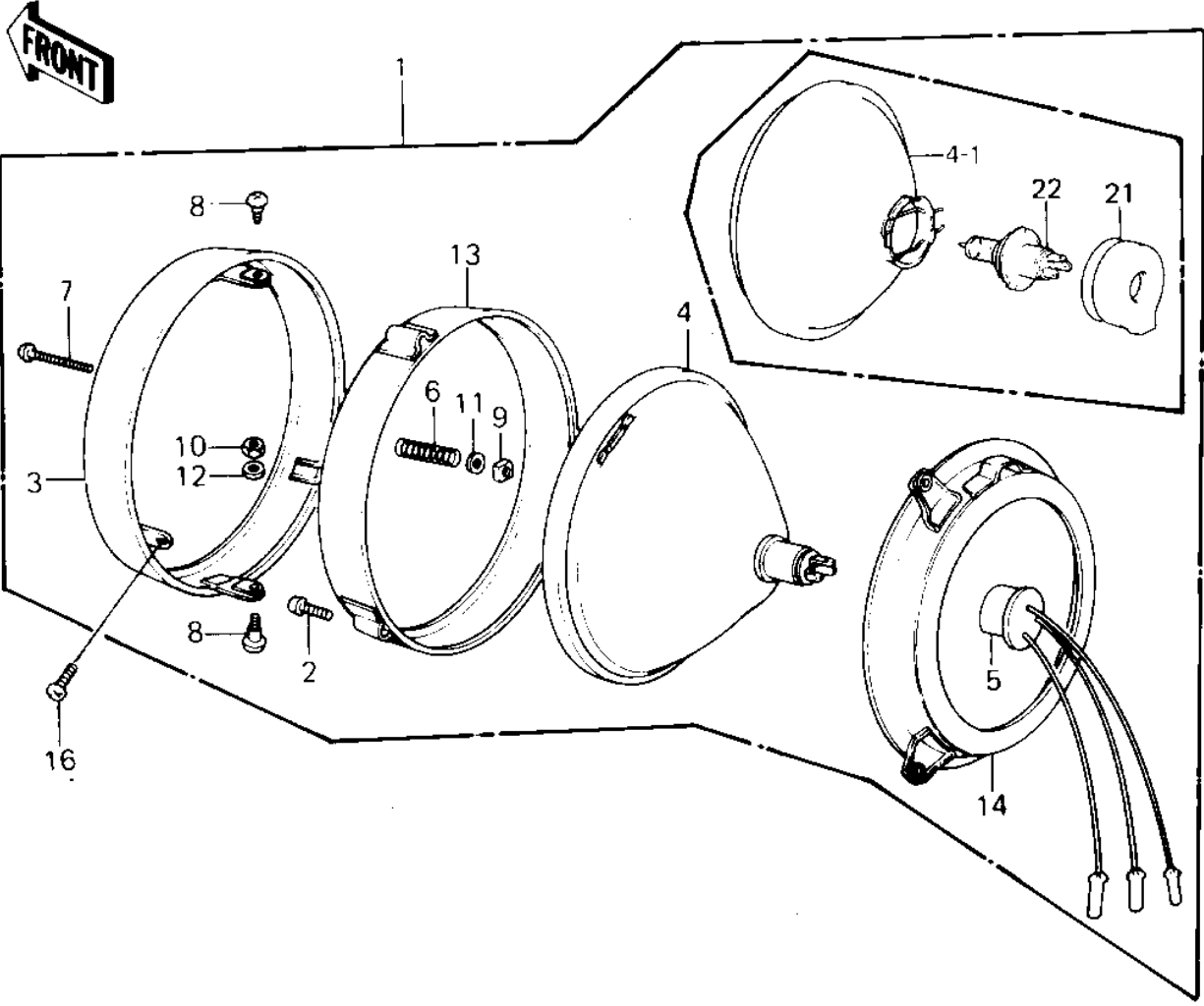


1980 KZ550-A1 PARTS DIAGRAM

HEADLIGHT ('80-'81 A1/A2)



1980 KZ550-A1 PARTS LIST

HEADLIGHT ('80-'81 A1/A2)

ITEM NAME	PART NUMBER	QUANTITY
LAMP UNIT,HEAD (Ref # 1)	23003-017	1
LAMP-HEAD (Ref # 1)	23004-1040	1
SCREW, PAN HEAD 3X12 (Ref # 2)	220B0312A	2
RIM,HEAD LAMP (Ref # 3)	23006-038	1
SEALD BEAM UNIT (Ref # 4)	23007-041	1
LENS UNIT,HEAD LAMP (Ref # 4.1)	23007-1009	1
SOCKET ASSY,HEAD LAMP (Ref # 5)	23008-037	1
SPRING FOCUS ADJUST (Ref # 6)	23014-005	1
SCREW FORCUS ADJUST (Ref # 7)	23019-021	1
SCREW-PAN HEAD,5X12 (Ref # 8)	23019-023	2
NUT,4MM (Ref # 9)	23020-018	1
NUT,HEAD LAMP RIM FIT (Ref # 10)	23020-023	2
WASHER (Ref # 11)	23021-004	1
WASHER-PLAIN,5MM (Ref # 12)	23021-012	2
RING,HEAD LAMP MOUNT (Ref # 13)	23072-001	1
RING,HEAD LAMP MOUNT (Ref # 14)	23074-001	1
BODY-COMP-HEAD LAMP (Ref # 15)	23005-1015-21	1
BODY-COMP-HEAD LAMP (Ref # 15)	23005-1015-21	1
SCREW,PAN HEAD,5X14 (Ref # 16)	23019-022	2
DAMPER RUBBER (Ref # 17)	23066-015	2
DAMPER RUBBER (Ref # 18)	23066-016	2
COLLAR (Ref # 19)	23076-005	2
GROMMET (Ref # 20)	92071-1008	1
GROMMET (Ref # 20)	92071-1008	2
DUST COVER (Ref # 21)	49016-1016	1
BULB,12V-60/55W (Ref # 22)	92069-1002	1