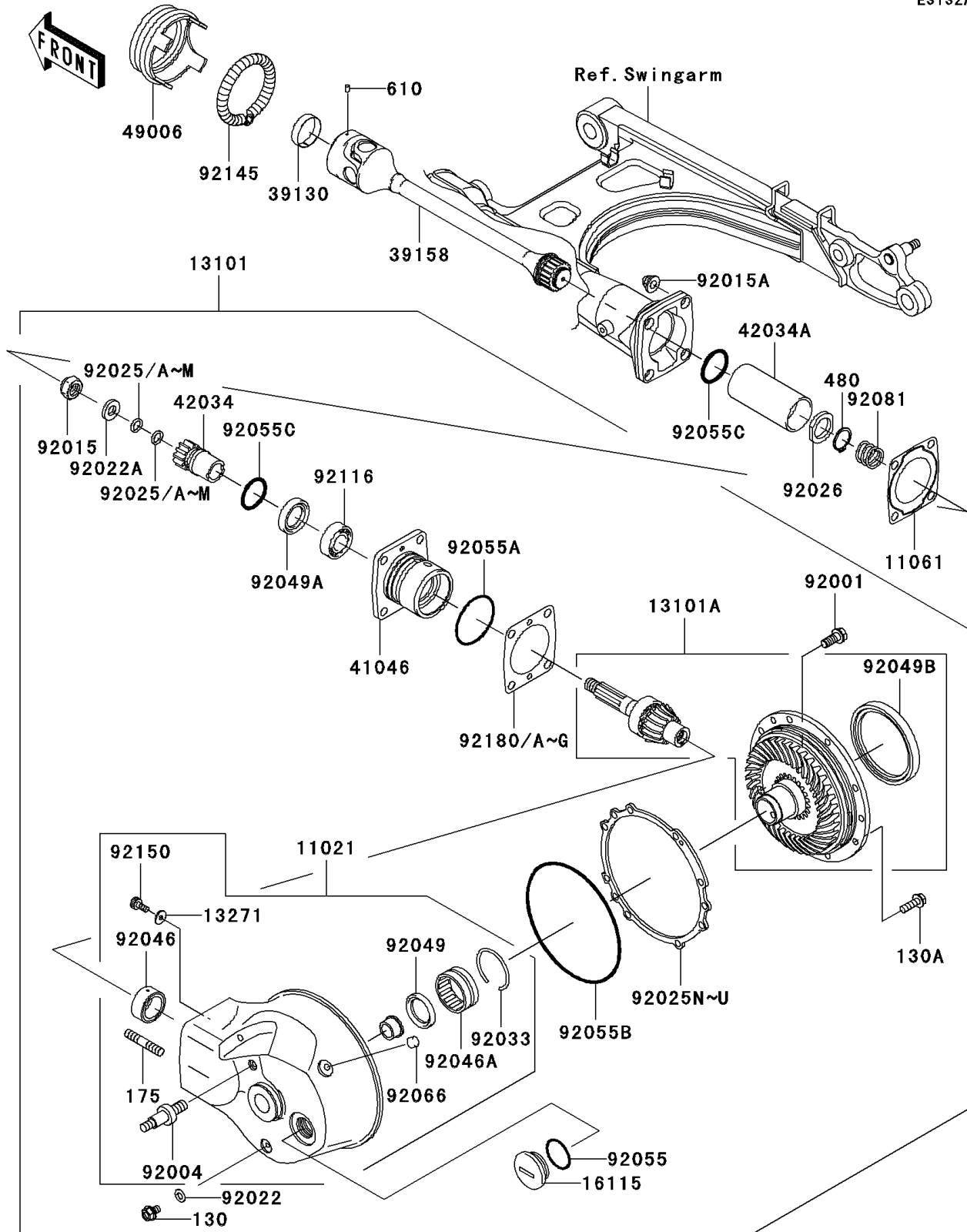


2003 Vulcan 1500 Classic PARTS DIAGRAM

Drive Shaft/Final Gear

E3132A



2003 Vulcan 1500 Classic PARTS LIST

Drive Shaft/Final Gear

| ITEM NAME | PART NUMBER | QUANTITY |
|---|-------------|----------|
| CASE-ASSY,FINAL GEAR (Ref # 11021) | 11021-1134 | 1 |
| GASKET,RR,SWINGARM (Ref # 11061) | 11061-1088 | 1 |
| GEAR-ASSY,FINAL (Ref # 13101) | 13101-1322 | 1 |
| GEAR-ASSY,BEVEL,RR (Ref # 13101A) | 13101-5086 | 1 |
| PLATE (Ref # 13271) | 13271-1733 | 1 |
| CAP-OIL FILLER (Ref # 16115) | 16115-1056 | 1 |
| SPRING-LEAF (Ref # 39130) | 39130-1002 | 1 |
| SHAFT-ASSY-DRIVE (Ref # 39158) | 39158-1062 | 1 |
| HOUSING-BEARING (Ref # 41046) | 41046-1103 | 1 |
| COUPLING (Ref # 42034) | 42034-1079 | 1 |
| COUPLING,PROPELLER SHAFT,OUTER (Ref # 42034A) | 42034-1178 | 1 |
| BOOT,PROPELLER SHAFT (Ref # 49006) | 49006-1226 | 1 |
| BOLT,FLANGED,10X23 (Ref # 92001) | 92001-1778 | 1 |
| STUD,RR SHOCKABSORBER (Ref # 92004) | 92004-1047 | 1 |
| NUT,16MM (Ref # 92015) | 92015-1059 | 1 |
| NUT,10MM (Ref # 92015A) | 92015-1649 | 4 |
| WASHER,8.2X16X1 (Ref # 92022) | 92022-1086 | 1 |
| WASHER,16X32X3.2 (Ref # 92022A) | 92022-1105 | 1 |
| SHIM,T=1.30 (Ref # 92025) | 92025-1214 | AR |
| SHIM,T=1.32 (Ref # 92025A) | 92025-1215 | AR |
| SHIM,T=1.34 (Ref # 92025B) | 92025-1216 | AR |
| SHIM,T=1.36 (Ref # 92025C) | 92025-1217 | AR |
| SHIM,T=1.38 (Ref # 92025D) | 92025-1218 | AR |
| SHIM,T=0.10 (Ref # 92025E) | 92025-1219 | AR |
| SHIM,T=0.20 (Ref # 92025F) | 92025-1220 | AR |
| SHIM,T=0.30 (Ref # 92025G) | 92025-1221 | AR |
| SHIM,T=0.50 (Ref # 92025H) | 92025-1222 | AR |
| SHIM,T=0.60 (Ref # 92025I) | 92025-1223 | AR |
| SHIM,T=0.70 (Ref # 92025J) | 92025-1224 | AR |

2003 Vulcan 1500 Classic PARTS LIST

Drive Shaft/Final Gear

| ITEM NAME | PART NUMBER | QUANTITY |
|--|-------------|----------|
| SHIM,T=0.80 (Ref # 92025K) | 92025-1225 | AR |
| SHIM,T=0.90 (Ref # 92025L) | 92025-1226 | AR |
| SHIM,T=1.00 (Ref # 92025M) | 92025-1227 | AR |
| SHIM,T=0.15 (Ref # 92025N) | 92025-1783 | AR |
| SHIM,T=0.50 (Ref # 92025O) | 92025-1784 | AR |
| SHIM,T=0.60 (Ref # 92025P) | 92025-1785 | AR |
| SHIM,T=0.70 (Ref # 92025Q) | 92025-1786 | AR |
| SHIM,T=0.80 (Ref # 92025R) | 92025-1787 | AR |
| SHIM,T=0.90 (Ref # 92025S) | 92025-1788 | AR |
| SHIM,T=1.00 (Ref # 92025T) | 92025-1789 | AR |
| SHIM,T=1.20 (Ref # 92025U) | 92025-1790 | AR |
| BOLT-FLANGED (Ref # 130) | 130N0812 | 1 |
| BOLT-FLANGED (Ref # 130A) | 130Y0825 | 7 |
| BOLT-STUD-FINE,10X35 (Ref # 175) | 175G1035 | 4 |
| CIRCLIP-TYPE-C,26MM (Ref # 480) | 480J2600 | 1 |
| ROLLER,4X6 (Ref # 610) | 610A0406 | 1 |
| SPACER,PROPELLER SHAFT (Ref # 92026) | 92026-1085 | 1 |
| RING-SNAP,52MM (Ref # 92033) | 92033-1074 | 1 |
| BEARING-NEEDLE,RNA4904RD (Ref # 92046) | 92046-1168 | 1 |
| BEARING-NEEDLE,38NQ5020WD (Ref # 92046A) | 92046-1169 | 1 |
| SEAL-OIL,S-35477HS (Ref # 92049) | 92049-1025 | 1 |
| SEAL-OIL,SC32487 (Ref # 92049A) | 92049-1033 | 1 |
| SEAL-OIL (Ref # 92049B) | 92049-1280 | 1 |
| RING-O,31.7X2.4 (Ref # 92055) | 92055-049 | 1 |
| RING-O,ID=57.6 (Ref # 92055A) | 92055-1038 | 1 |
| RING-O,154MM (Ref # 92055B) | 92055-1165 | 1 |
| RING-O (Ref # 92055C) | 92055-1646 | 2 |
| PLUG (Ref # 92066) | 92066-1110 | 1 |
| SPRING,PROPELLER SHAFT (Ref # 92081) | 92081-1183 | 1 |

2003 Vulcan 1500 Classic PARTS LIST

Drive Shaft/Final Gear

| ITEM NAME | PART NUMBER | QUANTITY |
|---------------------------------------|-------------|----------|
| BEARING-ROLLER,4T32005X (Ref # 92116) | 92116-1004 | 1 |
| SPRING,BOOT (Ref # 92145) | 92145-1162 | 1 |
| BOLT,SOCKET,5X10 (Ref # 92150) | 92150-1806 | 1 |
| SHIM,T=0.15 (Ref # 92180) | 92180-1365 | AR |
| SHIM,T=0.50 (Ref # 92180A) | 92180-1366 | AR |
| SHIM,T=0.60 (Ref # 92180B) | 92180-1367 | AR |
| SHIM,T=0.70 (Ref # 92180C) | 92180-1368 | AR |
| SHIM,T=0.80 (Ref # 92180D) | 92180-1369 | AR |
| SHIM,T=0.90 (Ref # 92180E) | 92180-1370 | AR |
| SHIM,T=1.00 (Ref # 92180F) | 92180-1371 | AR |
| SHIM,T=1.20 (Ref # 92180G) | 92180-1372 | AR |