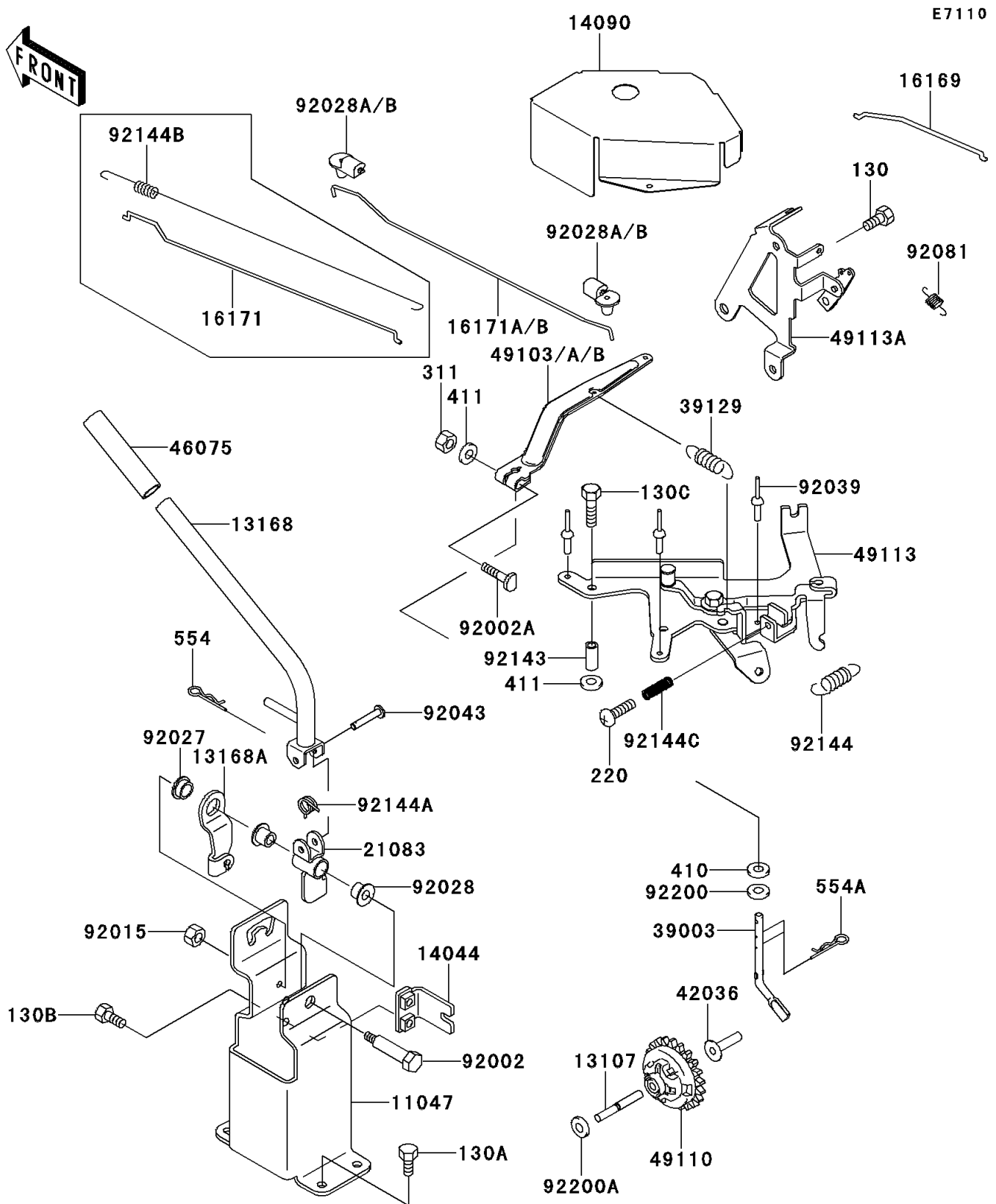


# Mule 2510 4X4 PARTS DIAGRAM

Control



# Mule 2510 4X4 PARTS LIST

Control

ITEM NAME	PART NUMBER	QUANTITY
-----------	-------------	----------