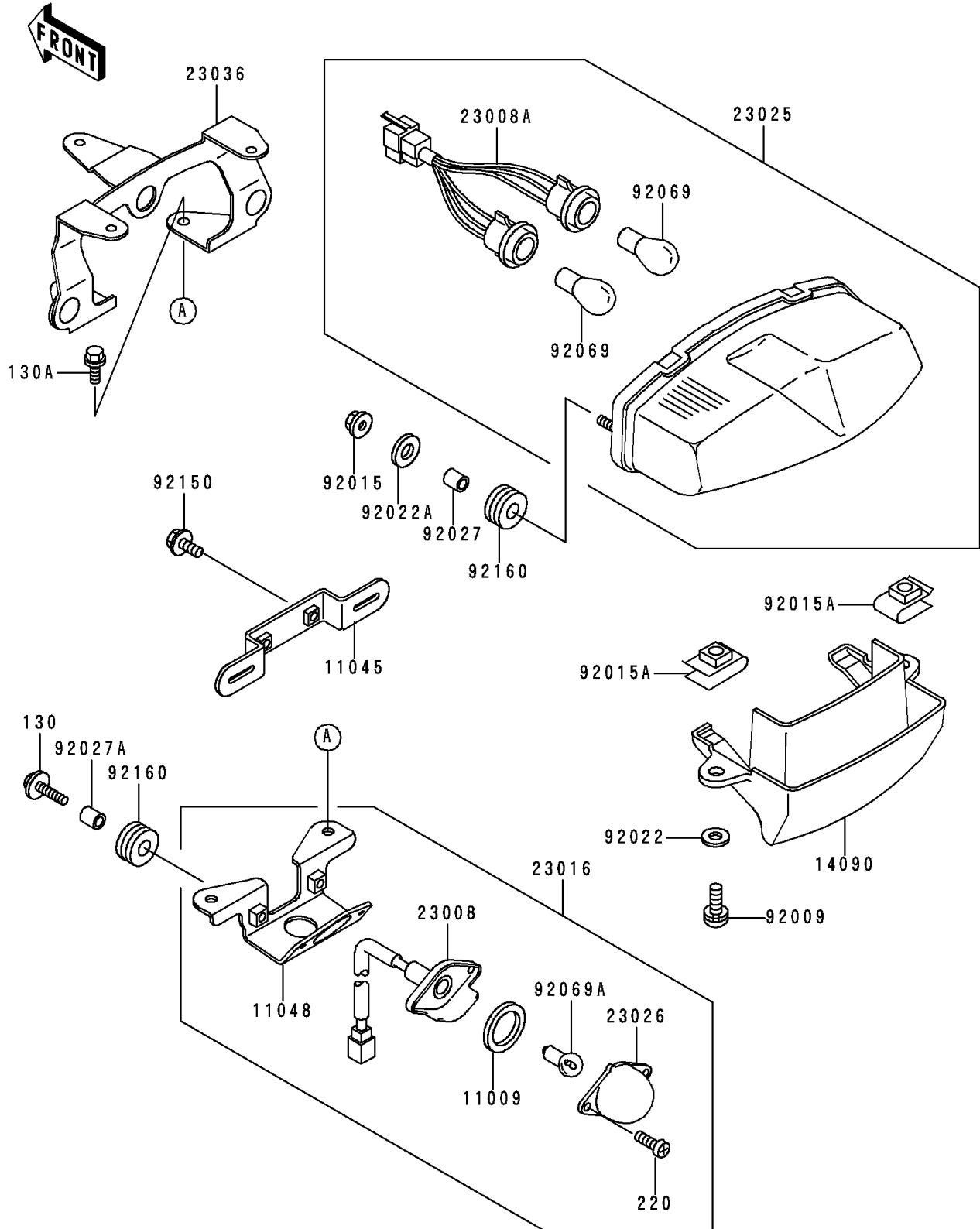


# 1998 Ninja® 500R PARTS DIAGRAM

Taillight(s)

F2720



# 1998 Ninja® 500R PARTS LIST

## Taillight(s)

| ITEM NAME                                    | PART NUMBER | QUANTITY |
|--|-------------|----------|
| BOLT-FLANGED,6X25 (Ref # 130)                | 130H0625    | 2        |
| BOLT-FLANGED (Ref # 130A)                    | 130J0612    | 2        |
| SCREW-PAN-CROS (Ref # 220)                   | 220B0410    | 2        |
| GASKET,LICENSE PLATE LAMP (Ref # 11009)      | 11009-1372  | 1        |
| BRACKET,LICENSE (Ref # 11045)                | 11045-1387  | 1        |
| BRACKET,LICENSE PLATE LAMP (Ref # 11048)     | 11048-1338  | 1        |
| COVER,LICENSE LAMP (Ref # 14090)             | 14090-1487  | 1        |
| SOCKET-ASSY,LICENSE PLATE LAMP (Ref # 23008) | 23008-1221  | 1        |
| SOCKET-ASSY,TAIL LAMP (Ref # 23008A)         | 23008-1413  | 1        |
| LAMP-ASSY,LICENSE PLATE (Ref # 23016)        | 23016-1131  | 1        |
| LAMP-TAIL (Ref # 23025)                      | 23025-1219  | 1        |
| LENS,LAMP (Ref # 23026)                      | 23026-1054  | 1        |
| BRACKET-TAIL LAMP (Ref # 23036)              | 23036-1130  | 1        |
| SCREW,5X16 (Ref # 92009)                     | 92009-1654  | 2        |
| NUT,FLANGED,6MM (Ref # 92015)                | 92015-1367  | 3        |
| NUT,5MM (Ref # 92015A)                       | 92015-1710  | 2        |
| WASHER,NYLON,5.3X11.5X1.5 (Ref # 92022)      | 92022-1521  | 2        |
| WASHER,6.5X20X1.6 (Ref # 92022A)             | 92022-1557  | 3        |
| COLLAR,6.8X10X12 (Ref # 92027)               | 92027-162   | 3        |
| COLLAR,L=13.1 (Ref # 92027A)                 | 92027-251   | 2        |
| BULB,12V 27/8W (Ref # 92069)                 | 92069-059   | 2        |
| BULB,12V 8W (Ref # 92069A)                   | 92069-1012  | 1        |
| BOLT,6X14 (Ref # 92150)                      | 92150-1133  | 2        |
| DAMPER (Ref # 92160)                         | 92160-1162  | 5        |