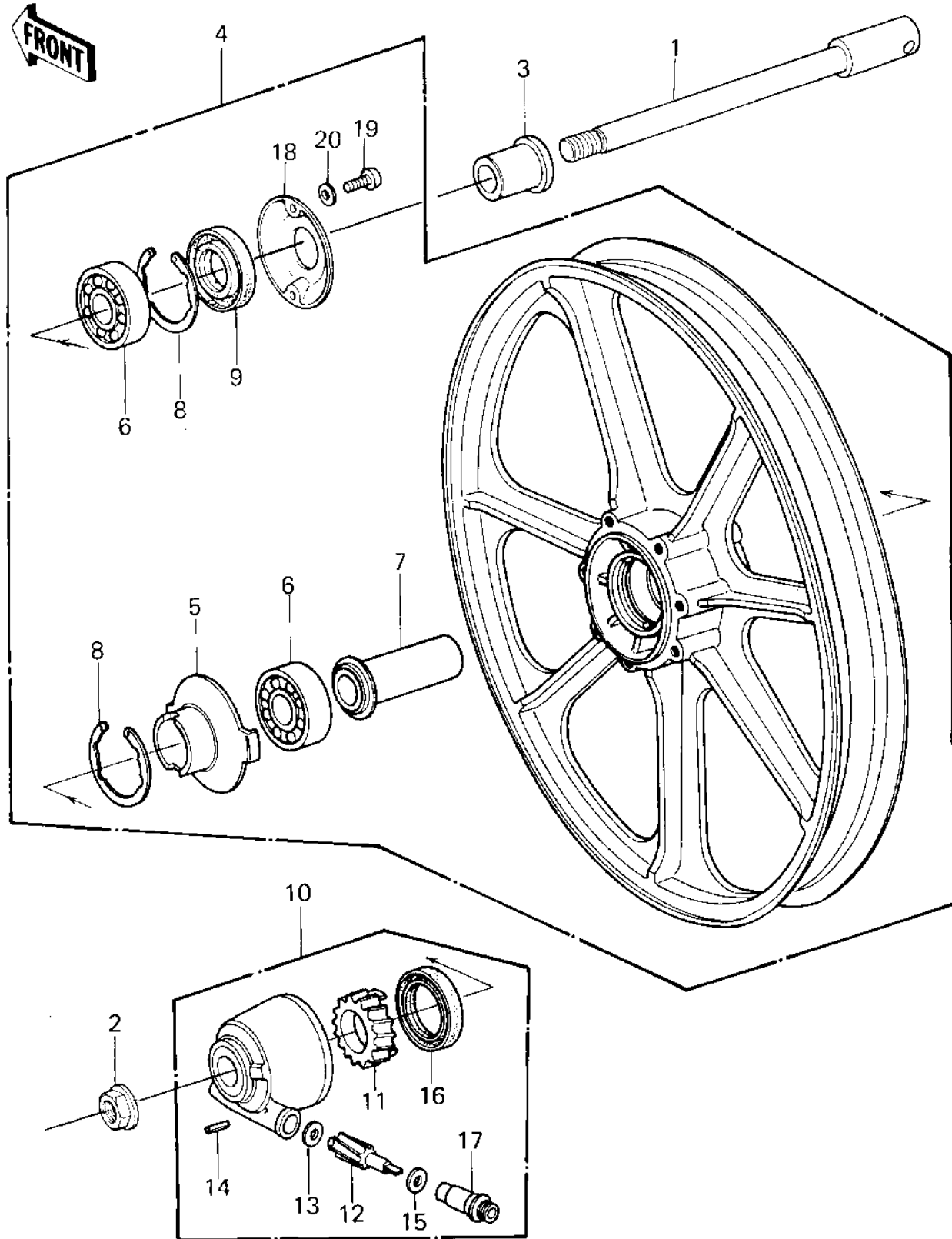


1980 KZ550-A1 PARTS DIAGRAM

FRONT WHEEL/HUB (KZ550-A2)



1980 KZ550-A1 PARTS LIST

FRONT WHEEL/HUB (KZ550-A2)

ITEM NAME	PART NUMBER	QUANTITY
AXLE,FRONT,L=204M/M (Ref # 1)	41068-1009	1
NUT,14MM (Ref # 2)	92015-1407	1
COLLAR,FR AXLE L=30MM (Ref # 3)	92027-1225	1
WHEEL-ASSY,FR,F.BLACK (Ref # 4)	41073-1080-21	1
RECEIVER,SPEEDOMETER (Ref # 5)	41064-1006	1
BEARING BALL #6302Z (Ref # 6)	601B6302Z	2
COLLAR,FR HUB L=55M/M (Ref # 7)	92027-1223	1
CIRCLIP,42MM (Ref # 8)	92033-1041	2
OIL SEAL,AG1144AO (Ref # 9)	92049-1058	1
GEAR BOX ASSY, (Ref # 10)	41078-1013	1
GEAR,SPEEDOMETER (Ref # 11)	41059-026	1
PINION,SPEEDOMETER,9T (Ref # 12)	41060-1016	1
WASHER THRST SPD PINI (Ref # 13)	41063-001	1
PIN,SPRING (Ref # 14)	41082-001	1
WASHER THRST SPD PINI (Ref # 15)	41063-001	1
OIL SEAL,BJN30427-C3 (Ref # 16)	92049-1057	1
BUSHING,METER GEAR (Ref # 17)	92087-1002	1
COVER,DUST,R.H. (Ref # 18)	14025-1042	1
SCREW-PAN-CROS (Ref # 19)	220B0514	2
WASHER PLAIN 5MM (Ref # 20)	411B0500	2