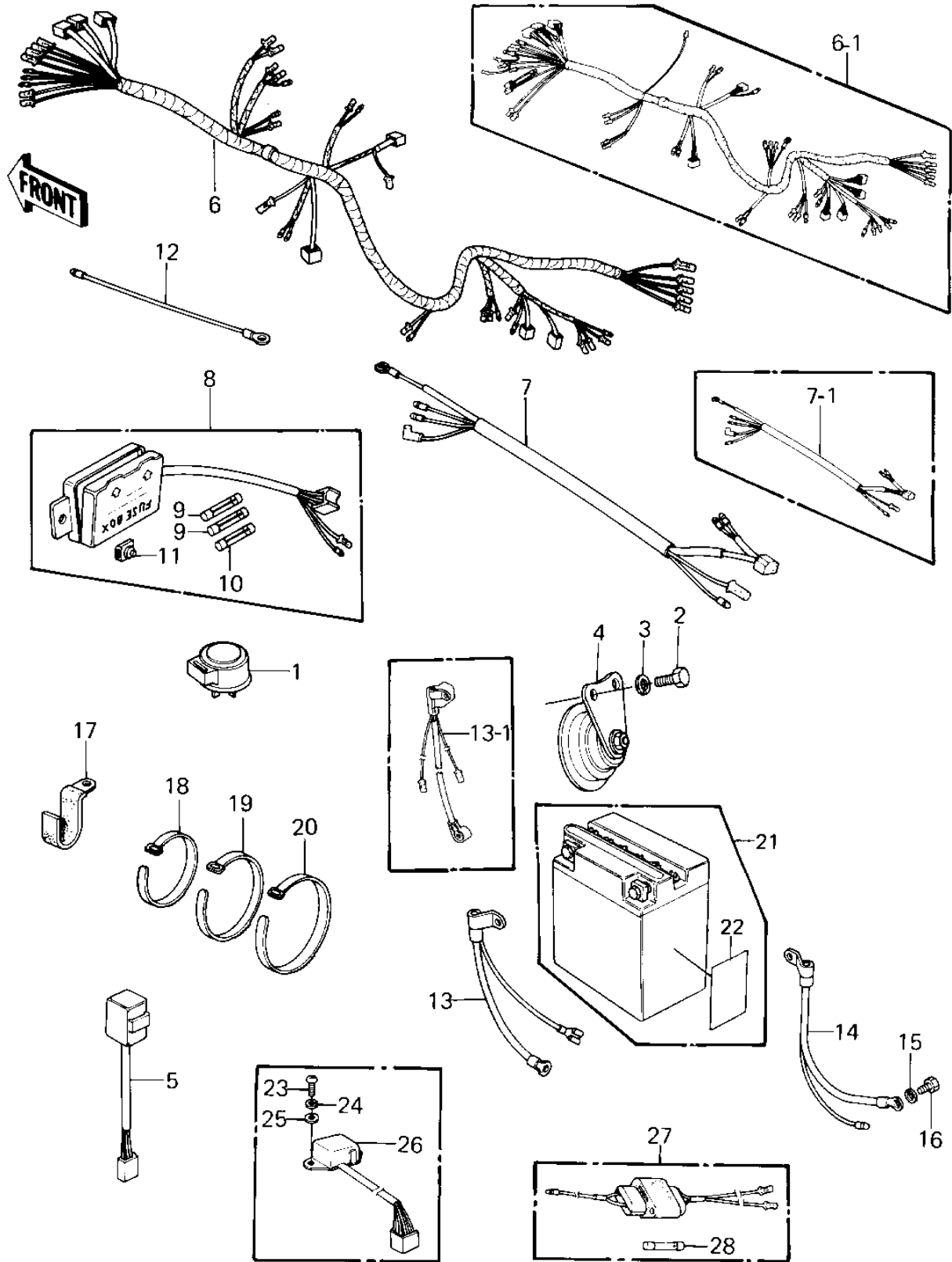


# 1980 KZ550-A1 PARTS DIAGRAM

CHASSIS ELECTRICAL EQUIPMENT ('80-'81 A1)



# 1980 KZ550-A1 PARTS LIST

## CHASSIS ELECTRICAL EQUIPMENT ('80-'81 A1

ITEM NAME	PART NUMBER	QUANTITY
RELAY-TURN SIGNAL (Ref # 1)	27002-011	1
BOLT-SMALL-UPSET,8X16 (Ref # 2)	115G0816	2
WASHER SPRING 8MM (Ref # 3)	461F0800	2
HORN (Ref # 4)	27003-1014	1
SWITCH,OUTAGE,INDICTR (Ref # 5)	28019-001	1
WIRING HARNESS,MAIN (Ref # 6)	26001-1126	1
HARNESS,MAIN (Ref # 6-1)	26001-1230	1
WIRING HARNESS,SUB (Ref # 7)	26001-1051	1
HARNESS,SUB (Ref # 7-1)	26001-1202	1
FUSE ASSY (Ref # 8)	26004-1002	1
FUSE 10A (Ref # 9)	26006-003	3
FUSE-20A (Ref # 10)	26006-005	2
DAMPER RUBBER,FUSE (Ref # 11)	92075-279	1
WIRE,LEAD (Ref # 12)	26011-095	2
WIRE-LEAD,BATTERY(T) (Ref # 13)	26011-1155	1
WIRE-LEAD,BATTERY (Ref # 13-1)	26011-1156	1
WIRE,LEAD,BATTERY(-) (Ref # 14)	26011-1032	1
WASHER SPRING 6MM (Ref # 15)	461F0600	1
BOLT,HEX HEAD,6MM (Ref # 16)	92001-137	1
CLAMP,WIRING HARNESS (Ref # 17)	92037-1069	3
BAND,SHORT (Ref # 18)	92072-030	2
BAND,MIDDLE (Ref # 19)	92072-031	2
BAND,LONG (Ref # 20)	92072-032	2
FB BAT FB12A-A (Ref # 21)	26012-1004	1
LABEL-WARNING,BATTERY (Ref # 22)	56040-1036	1
SCREW PAN HEAD 6X20 (Ref # 23)	220B0620	2
WASHER SPRING 6MM (Ref # 24)	461F0600	2
WASHER PLAIN 6MM (Ref # 25)	410B0600	2
SWITCH,RESERVE LIGHTI (Ref # 26)	27010-1024	1

# 1980 KZ550-A1 PARTS LIST

CHASSIS ELECTRICAL EQUIPMENT ('80-'81 A1

ITEM NAME	PART NUMBER	QUANTITY
FUSE-ASSY,ACCESSORY (Ref # 27)	26004-1014	1
FUSE,10A,L=30M/M (Ref # 28)	26006-1002	3