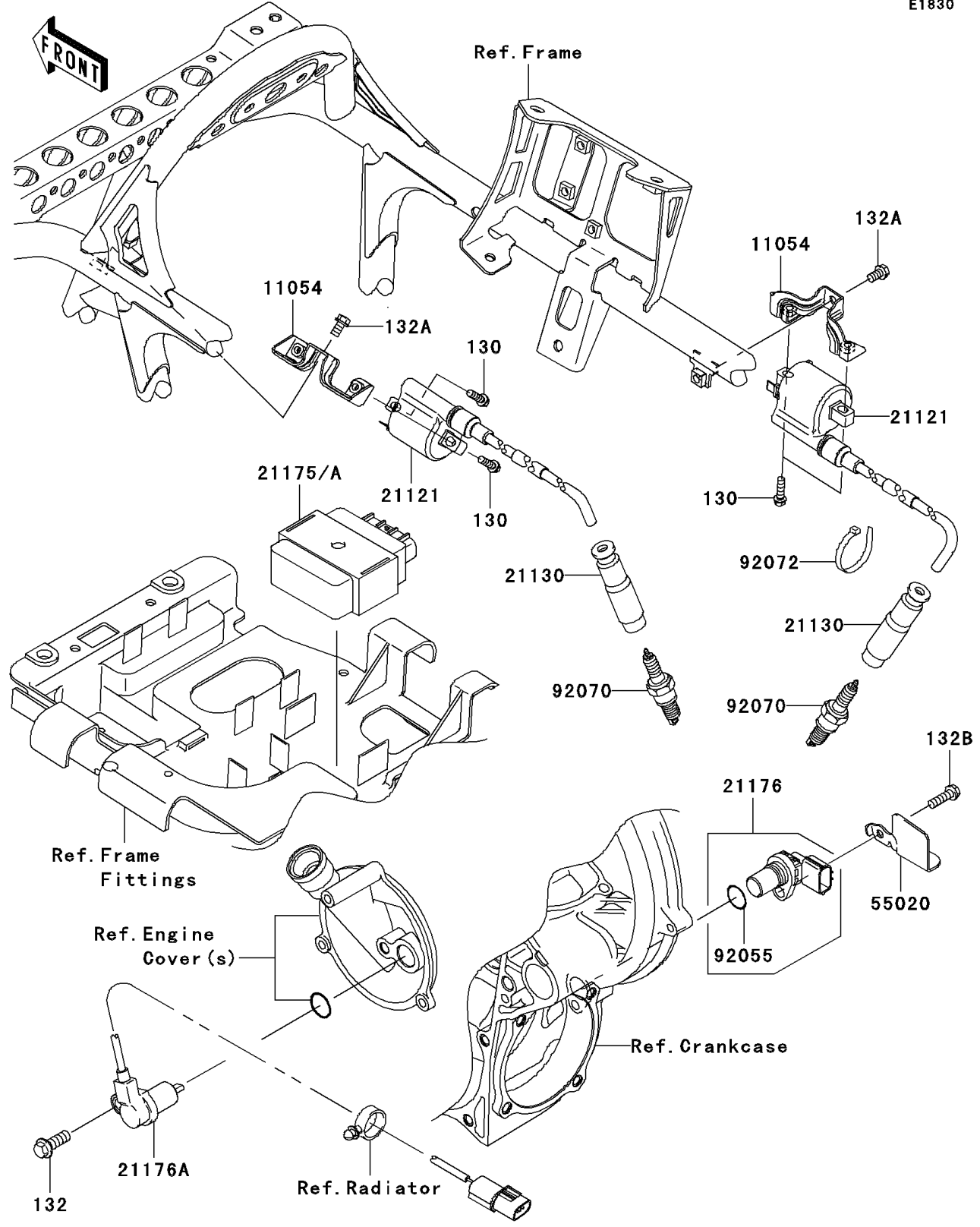


2008 Brute Force® 750 4x4i PARTS DIAGRAM

Ignition System

E1830



2008 Brute Force® 750 4x4i PARTS LIST

Ignition System

| ITEM NAME | PART NUMBER | QUANTITY |
|---------------------------------------|-------------|----------|
| BOLT-FLANGED,5X18 (Ref # 130) | 130BB0518 | 4 |
| BOLT-FLANGED-SMALL,8X22 (Ref # 132) | 132BA0822 | 1 |
| BOLT-FLANGED-SMALL,6X10 (Ref # 132A) | 132BD0610 | 2 |
| BOLT-FLANGED-SMALL,6X20 (Ref # 132B) | 132BD0620 | 1 |
| BRACKET (Ref # 11054) | 11054-1328 | 2 |
| COIL-IGNITION (Ref # 21121) | 21121-0039 | 2 |
| CAP-SPARK PLUG (Ref # 21130) | 21130-1071 | 2 |
| CONTROL UNIT-ELECTRONIC (Ref # 21175) | 21175-0086 | 1 |
| SENSOR,SPEED (Ref # 21176) | 21176-1104 | 1 |
| SENSOR,REVERSE (Ref # 21176A) | 21176-1109 | 1 |
| GUARD (Ref # 55020) | 55020-0247 | 1 |
| RING-O (Ref # 92055) | 92055-1718 | 1 |
| PLUG-SPARK,CR7E(NGK) (Ref # 92070) | 92070-1209 | 2 |
| BAND,L=188 (Ref # 92072) | 92072-1239 | 1 |