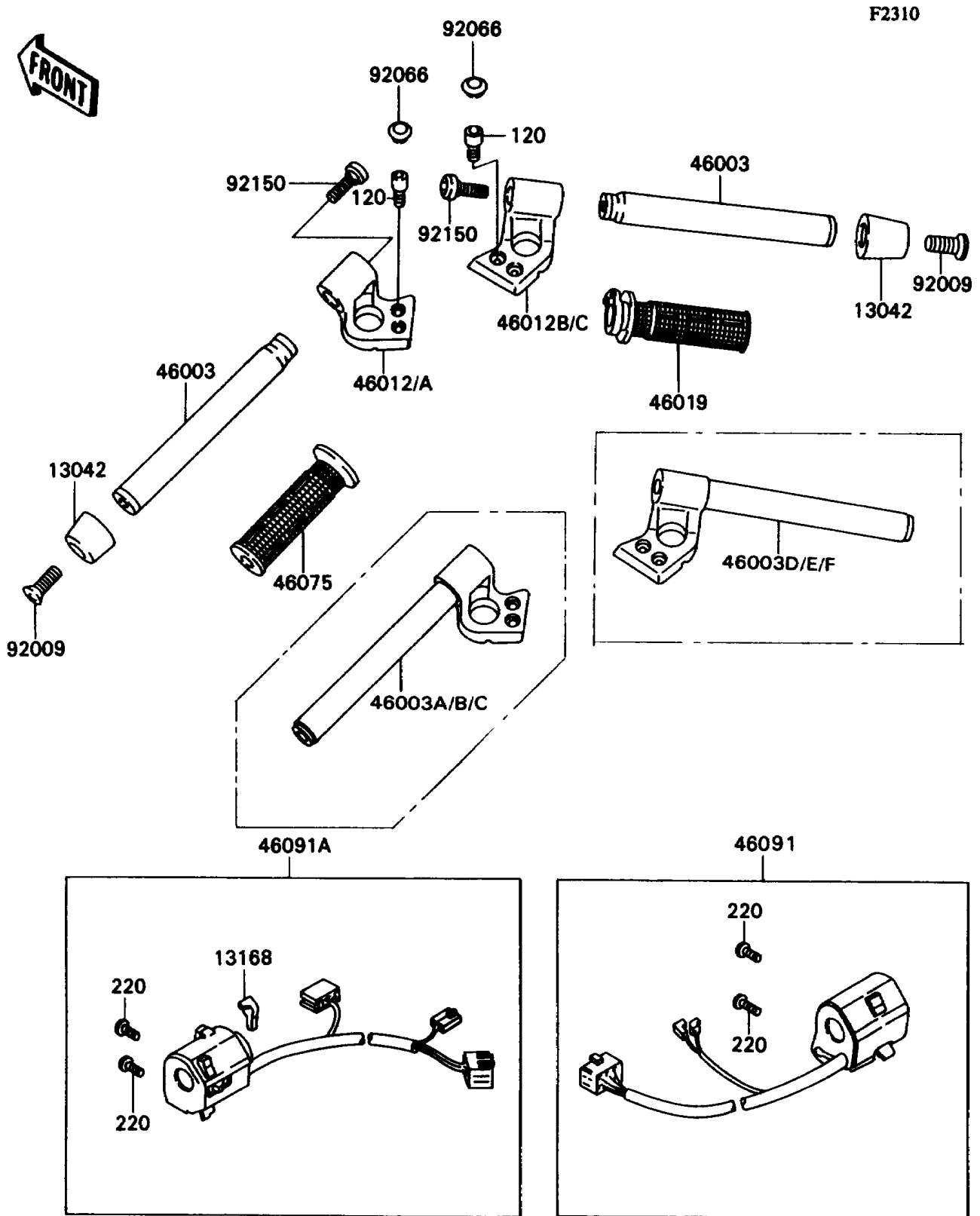


1993 Ninja® ZX™ -11 PARTS DIAGRAM

Handlebar



1993 Ninja® ZX™ -11 PARTS LIST

Handlebar

| ITEM NAME | PART NUMBER | QUANTITY |
|--|---------------|----------|
| WEIGHT,HANDLE (Ref # 13042) | 13042-1005 | 2 |
| LEVER,CHOKE (Ref # 13168) | 13168-1448 | 1 |
| HANDLE,LH,BLACK (Ref # 46003C) | 46003-1336-10 | 1 |
| HANDLE,RH,BLACK (Ref # 46003F) | 46003-1337-10 | 1 |
| GRIP-ASSY,THROTTLE (Ref # 46019) | 46019-1072 | 1 |
| GRIP,LH (Ref # 46075) | 46075-1088 | 1 |
| HOUSING-ASSY-CONTROL,RH (Ref # 46091) | 46091-1533 | 1 |
| HOUSING-ASSY-CONTROL,LH (Ref # 46091A) | 46091-1534 | 1 |
| SCREW,8X45 (Ref # 92009) | 92009-1257 | 2 |
| PLUG (Ref # 92066) | 92066-1277 | 4 |
| BOLT-SOCKET,8X20 (Ref # 120) | 120S0820 | 4 |
| SCREW-PAN-CROS (Ref # 220) | 220C0520 | 4 |